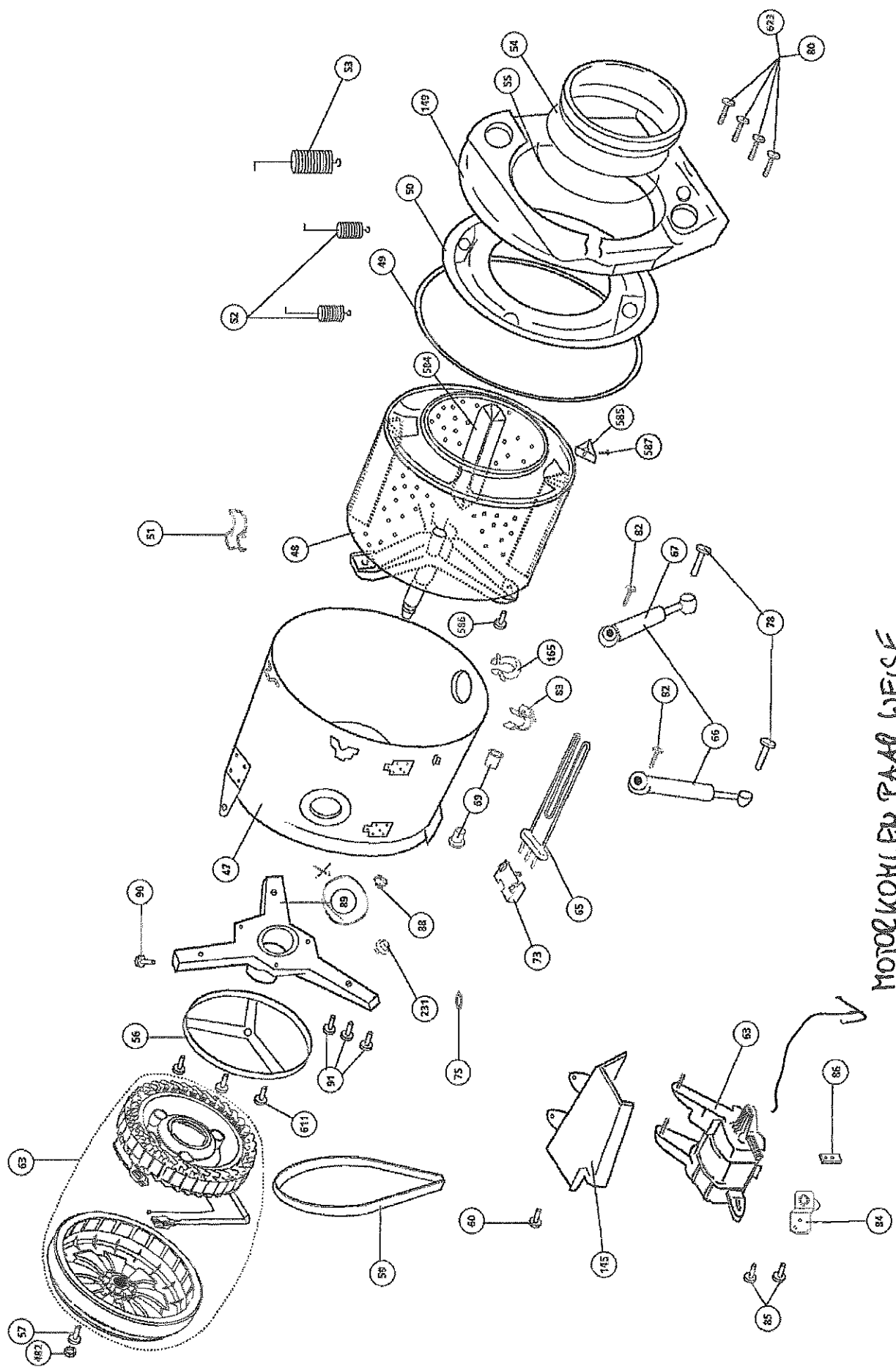


ELIN
WA 14M

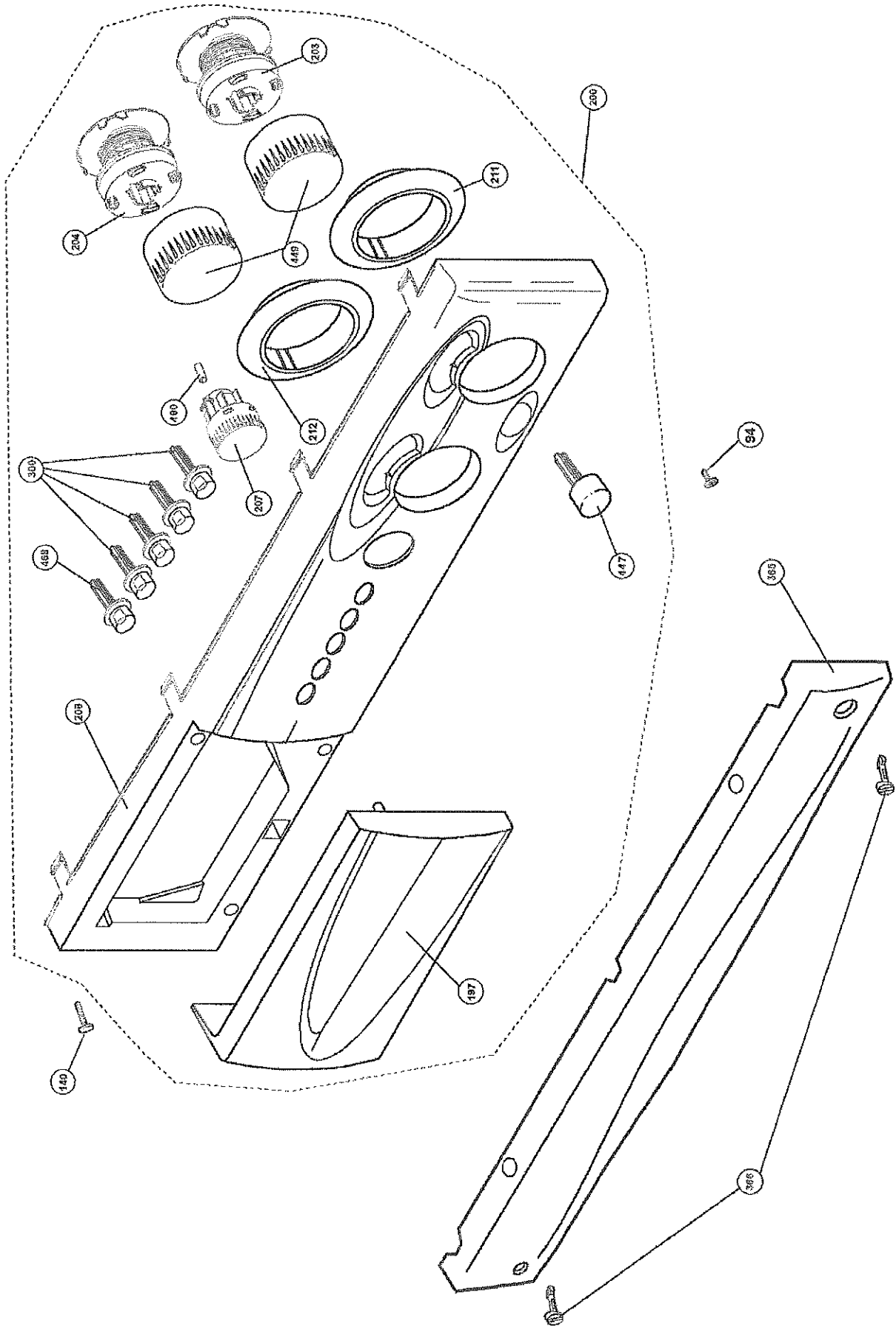
= WM 14 M

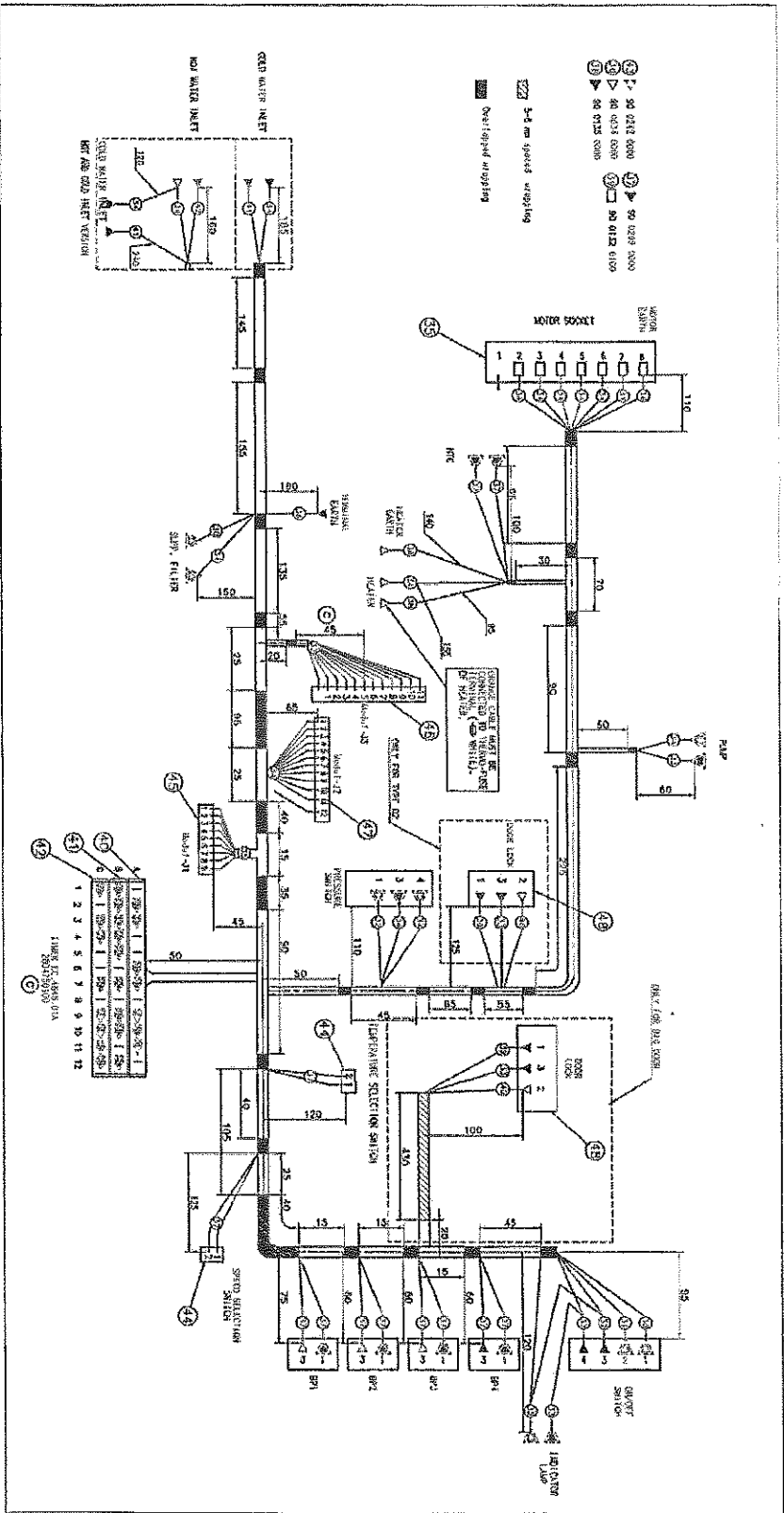
x Gubeibesnes lageskremz E1 2604500200



MOTORKORBEN PAAR WEISE

AGNE: ~~AGNE~~ 2x 371201201





12A	12B	12C
12A-1	12B-1	12C-1
12A-2	12B-2	12C-2
12A-3	12B-3	12C-3
12A-4	12B-4	12C-4
12A-5	12B-5	12C-5
12A-6	12B-6	12C-6
12A-7	12B-7	12C-7
12A-8	12B-8	12C-8
12A-9	12B-9	12C-9
12A-10	12B-10	12C-10
12A-11	12B-11	12C-11
12A-12	12B-12	12C-12
12A-13	12B-13	12C-13
12A-14	12B-14	12C-14
12A-15	12B-15	12C-15
12A-16	12B-16	12C-16
12A-17	12B-17	12C-17
12A-18	12B-18	12C-18
12A-19	12B-19	12C-19
12A-20	12B-20	12C-20
12A-21	12B-21	12C-21
12A-22	12B-22	12C-22
12A-23	12B-23	12C-23
12A-24	12B-24	12C-24
12A-25	12B-25	12C-25
12A-26	12B-26	12C-26
12A-27	12B-27	12C-27
12A-28	12B-28	12C-28
12A-29	12B-29	12C-29
12A-30	12B-30	12C-30
12A-31	12B-31	12C-31
12A-32	12B-32	12C-32
12A-33	12B-33	12C-33
12A-34	12B-34	12C-34
12A-35	12B-35	12C-35
12A-36	12B-36	12C-36
12A-37	12B-37	12C-37
12A-38	12B-38	12C-38
12A-39	12B-39	12C-39
12A-40	12B-40	12C-40
12A-41	12B-41	12C-41
12A-42	12B-42	12C-42
12A-43	12B-43	12C-43
12A-44	12B-44	12C-44
12A-45	12B-45	12C-45
12A-46	12B-46	12C-46
12A-47	12B-47	12C-47
12A-48	12B-48	12C-48
12A-49	12B-49	12C-49
12A-50	12B-50	12C-50

Reference	Component No	Component Detail	Quantit
1	2732600100	Arbeitsplatte	1
6	2731000100	Gehäuse	1
7	2704060100	Rückwand	1
10	2801901700	Türe	1
11	2705390100	Bullaugenglas	1
12	2803510500	Innere Abdeckung	1
13	2704830100	Sicherheitsschalter	1
14	2800400100	Scharnier	1
18	2005600200	einstellbarer Standfuß	4
20	2733500200	Transportsicherung	3
25	2801540200	Abdeckung für Transportsicherung	3
29	100601520	Schraube (B4.2*13 DIN 7981-H)	2
33	9001230200	Klammer	4
37	2010100000	Klammer	1
38	2704110100	Halterung für Feder	3
43	2607080002	Bedienungsanleitung	1
47	2600300700	Bottich	1
48	2602000100	Trommel	1
49	2001270200	Bottichdichtung	1
50	2600800200	Bottichdichtung	1
51	2004700000	Bottichhalterung	6
52	2703980100	Aufhängungsfeder links	2
53	2703990100	Aufhängungsfeder rechts	1
54	2704030200	Türdichtung	1
55	2600900100	Spannring	1
56	2801650100	Griff	1
57	2005390100	Schraube	1
59	2005170200	Riemen	1
60	110702220	Bolzen (M8*40 Z2 DIN 933 8.8)	1
63	2804840500	Motor	1
65	2703370100	Heizung	1
66	2803250200	Stoßdämpfer	2
69	2600960200	Motorhalterung	2
73	2604060000	Hitzeschutz für Kabel	1
78	2801430100	Bolzen	2
82	110600120	Bolzen (M10*40 DIN 931 8.8)	2
83	2600890000	Halterung für Druckschlauch	1
84	2001000000	Zugspannungshaltewinkel	1

84	2001000000	TENSION BRACKET ASSEMBLY	02	1
85	110705720	BOLT(M6*16 Z9 DIN 933 8.8)	01	2
86	2000760000	TENSION PLATE	01	1
88	2201450200	THERMOSTAT RUBBER SEAL	01	1
89	2604500200	BEARING HOUSE ASSEMBLY	28	1
90	110704020	BOLT.(M8*20 Z2 DIN 933 10.9)	01	3
91	110705920	BOLT(M6*25 Z2-SP DIN 933 8.8)	01	3
93	2704480100	HOSE HOLDER	01	1
94	2704720100	PT SCREW (3,5*13)	01	1
99	2800820100	SIPHON	02	1
100	2002800600	PRESSURE TUSE HOSE ASSEMBLY	03	1
101	2001280200	PRESSURE TUBE	03	1
102	2002371600	HOSE CLAMP (x 27.5)	01	1
103	2007300100	HOSE CLAMP ASSEMBLY	02	1
105	2704080100	TUB-FILTER HOSE	07	1
106	2808700300	WATER INLET HOSE ASSEMBLY (GREY-COLD)	12	1
107	2706750100	CAM..	01	1
108	2800990100	CAM FOLLOWER	01	1
110	2801000100	TRANSMITTER WIRE ASSEMBLY	02	1
113	2800950100	FLOW DIVERTER HOUSING	03	1
114	2800970100	SPRING	09	1
115	2800960100	ADJUSTMENT PART	01	1
116	2800940100	FLOW DIVERTER	01	1
117	2704050100	TUB INLET HOSE	10	1
119	2002371800	HOSE CLAMP	01	2
123	2002740000	DRAIN HOSE ELBOW	01	1
128	2002370800	HOSE CLAMP (x 15.88)	01	2
131	2801550100	WATER INLET VALVE (SINGLE)	12	1
135	2801090200	FILTER COVER		1
137	2801080200	FILTER HOUSING		1
138	2804680300	PUMP MOTOR	18	1
140	9003270100	PT SCREW 4*14	01	2
142	2002372400	HOSE CLAMP	01	1
143	2801070100	SEAL	05	3
145	2707280100	MOTOR PROTECTIVE COVER	04	1
146	2731900100	DETERGENT DISPENSER ASSEMBLY	13	1
149	2600990203	COUNTERWEIGHT (FRONT)	07	1
150	2600840000	HOSE HOLDER	01	1

164	2804600100	Steuerungsbox	1
166	2722201300	Hauptkabelbaum	1
168	2804750100	Timer <i>2824700100</i>	1
169	2803300100	Netzkabel	1
170	2703280600	Druckschalter	1
171	2804980100	Thermostat	1
172	2800151000	Halterung für Bedienblende	1
180	2201920500	Ein/Aus - Schalter	1
184	2701760000	Montagewinkel für Druckschalter	1
186	2804760133	Schleuderdrehzahlregulator	1
194	2801100400	Pumpe mit Flusensieb	1
197	2706050034	Frontblende f. Waschmittellade	1
200	2738700040	Bedienblende kompl.	1
203	2732700200	Timerknopf	1
204	2732800100	Thermostatknopf	1
207	2732900100	Schleuderdrehzahleinstellknopf	1
208	2738800036	Bedienblende nur Rahmen	1
211	2706060041	Anzeiger	1
212	2706060042	Anzeiger	1
230	2603900400	Spannklammer	1
231	2601880000	Gummipuffer	3
300	2733000100	Druckknöpfe	4
335	2003030000	Dichtung	2
336	2800800100	waschmittelladeneinsatz kompl.	1
339	2800560200	vordere Abdeckung	1
341	2706790100	Schließhaken für Türverschluß	1
342	2800860100	Bolzen	1
345	2801800800	innere Abdeckung	1
362	2704660300	Türöffnungsbowdenzug	1
365	2800450300	Sockelleiste	1
366	2800460200	Schraube für Sockelleiste	2
370	2704880100	Dampfablassschlauch	1
373	2810600300	Dampfablassschlauch kompl.	1
401	2800020200	Frontplatte	1
402	2801350100	Fixierring	2
411	2802370100	Abflußschlauchhalter	2
413	111204320	Bolzen (A.M5*5 DIN 7985)	4
414	2804670100	Frontpanelhalterung	1
415	9003610100	Schraube (B4.2*9.5-TIRTILLI)	18

156	100601220	SCREW (B4.2*9.5 DIN 7981-H)	01	5
162	2003720300	INTERFERENCE SUPPRESSOR	14	1
164	2804600100	TERMINAL BOX ASSEMBLY	16	1
166	2722201300	MAIN CABLE HARNESS	22	1
168	2804750100	PROGRAMME TIMER	22	1
169	2803300100	AC-INLET CABLE ASSEMBLY	13	1
170	2703280600	PRESSURE SWITCH	15	1
171	2804980100	NTC	09	1
172	2800151000	PANEL SUPPORT	07	1
180	2201920500	PUSH BUTTON SWITCH (ON/OFF)	06	1
184	2701760000	PRESSURE SWITCH BRACKET	04	1
186	2804760133	SPEED CONTROL ASSY.	32	1
194	2801100400	PUMP-FILTER ASSEMBLY	19	1
197	2706050034	DETERGENT DRAWER FRONT COVER	09	1
200	2738700040	PANEL ASSEMBLY (COMPLETE)	16	1
203	2732700200	TIMER KNOB ASSEMBLY	05	1
204	2732800100	THERMOSTAT KNOB ASSEMBLY	04	1
207	2732900100	POTENTIOMETER KNOB ASSEMBLY	04	1
208	2738800036	PANEL BODY ASSEMBLY	14	1
211	2706060041	INDICATOR PART	03	1
212	2706060042	INDICATOR PART	03	1
230	2603900400	CABINET BELLOWS CLAMP ASSEMBLY	04	1
231	2601880000	RUBBER BUFFER	01	3
300	2733000100	PUSH BUTTON SWITCH COVER ASSEMBLY	02	4
335	2003030000	SEAL	01	2
336	2800800100	DETERGENT DRAWER ASSEMBLY	06	1
339	2800560200	FRONT COVER	08	1
341	2706790100	LOCK HOOK	03	1
342	2800860100	PIN	01	1
345	2801800800	INNER COVER ASSEMBLY	10	1
362	2704660300	DOOR OPENING WIRE	02	1
365	2800450300	KICKPLATE COVER	07	1
366	2800460200	KICKPLATE COVER SCREW	02	2
370	2704880100	STEAM DISCHARGE HOSE	05	1
373	2810600300	DISCHARGE HOSE ASSEMBLY	06	1
401	2800020200	FRONT PANEL	15	1
402	2801350100	FIXER	01	2
411	2802370100	DISCHARGE HOSE HOLDER	01	2

413	111204320	BOLT (A.M5*5 DIN 7985)	01	4
414	2804670100	FRONT PANEL HOLDER	02	1
415	9003610100	SCREW (B4.2*9.5-TIRTILLI)	01	18
434	2201920100	PUSH BUTTON SWITCH	06	4
447	2704410100	DOOR OPENING KNOB	04	1
449	2704330100	KNOB COVER	03	2
453	2002371700	HOSE CLAMP (x 28,7)	01	1
455	2600941300	HOSE	02	1
458	2732100100	DOOR OPENING SWITCH ASSEMBLY	05	1
467	2004140800	DISCHARGE HOSE	04	1
468	2733000200	PUSH BUTTON SWITCH COVER ASSEMBLY	02	1
469	1800710000	HOSE FILTER	06	1
472	2704870100	CABLE HOLDER	01	2
479	9003270600	PT SCREW 4,5*16	01	2
480	2704490100	POTENTIOMETER KNOB ADAPTOR	02	1
481	2704820100	SELECTION SWITCH	08	2
487	2002373100	HOSE CLAMP	01	1
491	2735500100	WARNING LAMP ASSEMBLY	03	1
492	9003670100	PT SCREW (4,5*12)	01	2
495	2801040100	FRONT DOOR PUSHPIN	01	1
496	2801050100	FRONT DOOR PUSHPIN SPRING	01	1
582	9003620200	PT SCREW (4.5*14)	01	2
583	2705870100	SELF LOCKING CABLE HOLDER	01	5
584	2600040100	BAFFLE	01	3
585	2600050000	BAFFLE NUT	01	3
586	110707100	BOLT(M8*40 DIN 933 Z1 SP 1.4016)	01	3
587	111900100	BOLT (AM6*20 DIN 966 SP 1.4016)	01	3
588	9003270400	PT SCREW 4*10	01	2
592	2803670100	CONNECTOR	04	1
597	2705630100	CABLE GUIDE CUFF	01	1
598	2810900100	FILTER ASSEMBLY	05	1
605	2002370500	HOSE CLAMP	01	1
613	2703940200	FELT	05	1
617	2703940700	FELT (SIDE)	05	2
623	2601460300	SPECIAL BOLT	04	4
624	2722000100	MODULE HOLDER ASSY.	05	1