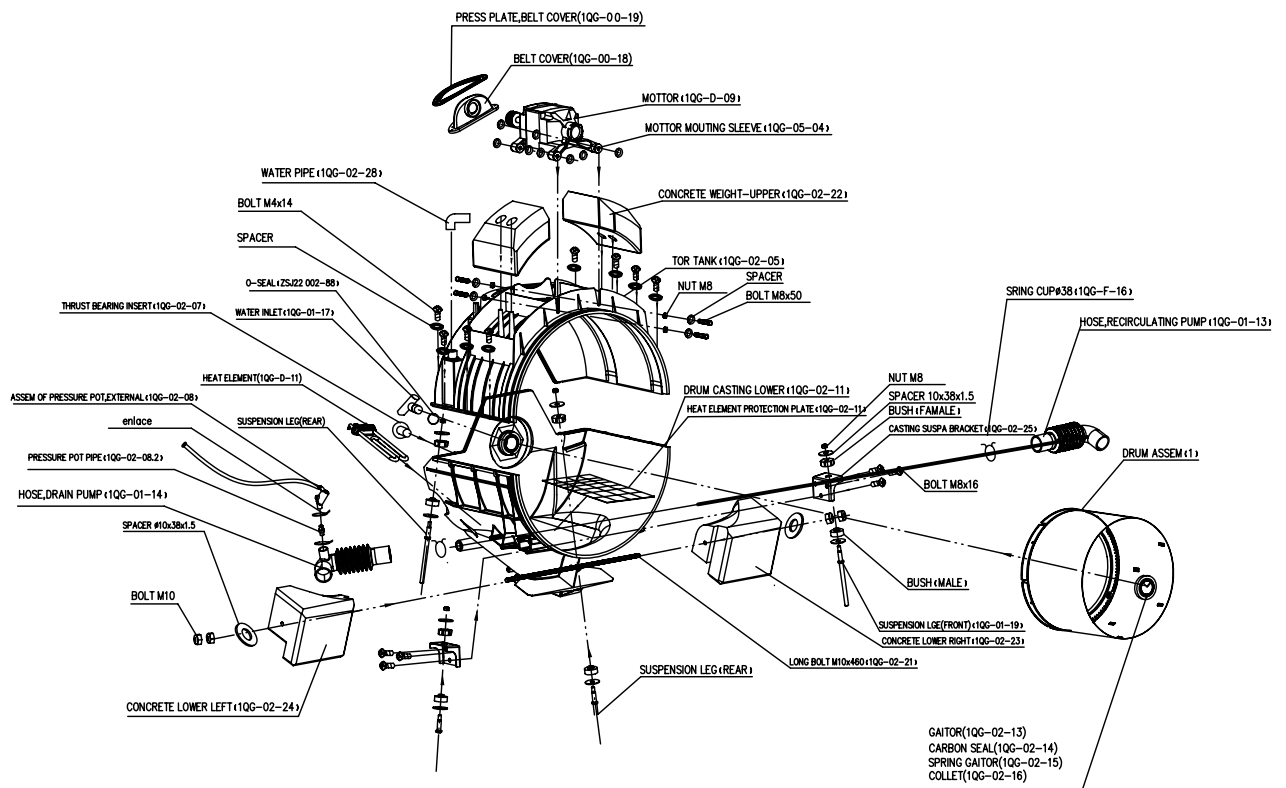


FLOORPAN ASSY



**TANK ASSEM**

UPPER BACK PANEL(1QG-00-01)      WIRE CLASPER(6W3-4)      CABLE,MAIN SUPPLY(1QG-D-10)

SCREW  
SPACER      SCREW  
SPACER      NUT

PRESSURE SWITCH(1QG-D-08)

SCREW  
NUT      SPACER

COLD WATER VALVE(1QG-D-06)

HOT WATER VALVE(1QG-D-07)

HOSE SOAP TRAY PREWASH(1QG-07-05)

CUP

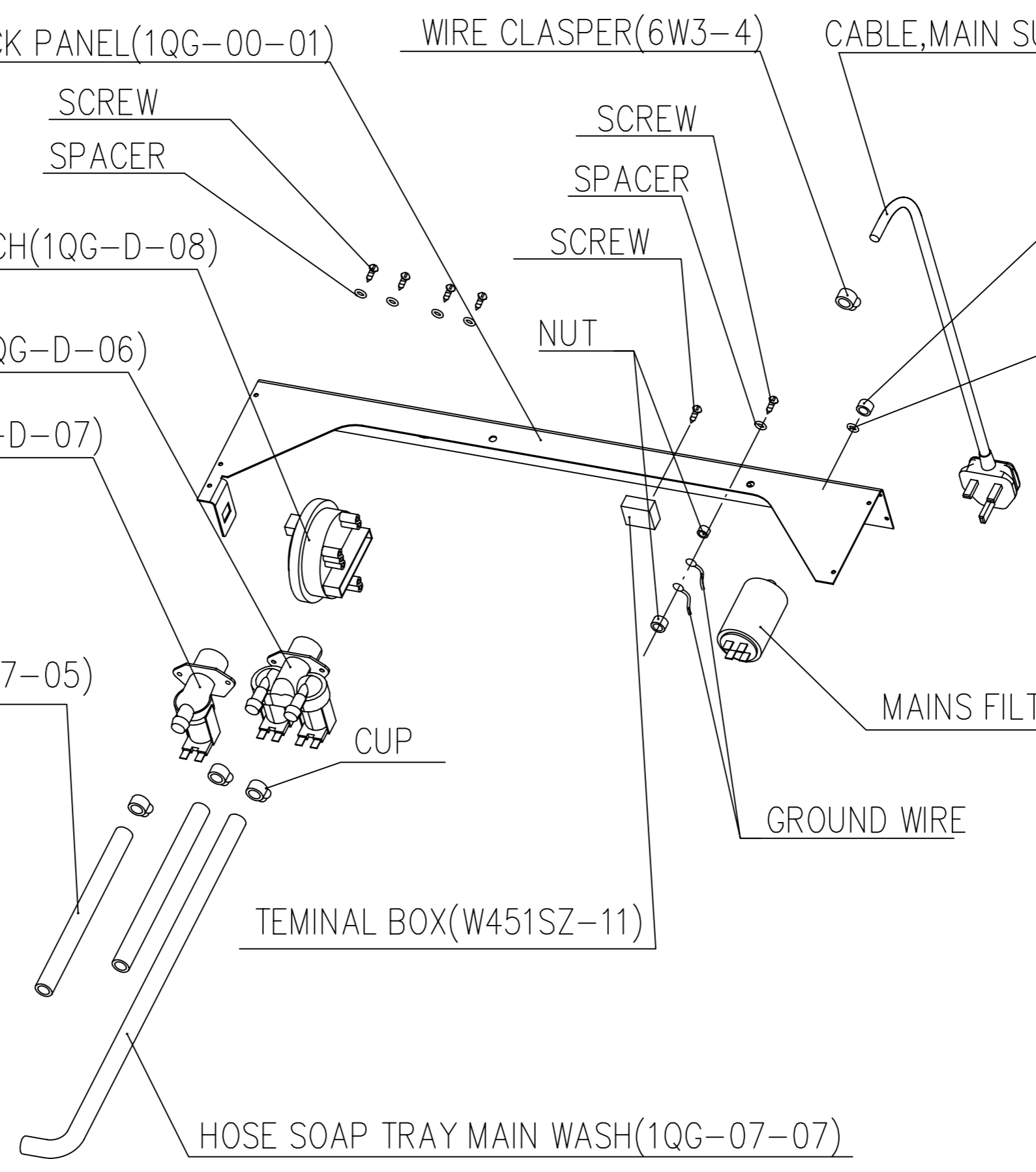
MAINS FILTER(1QG-D-02)

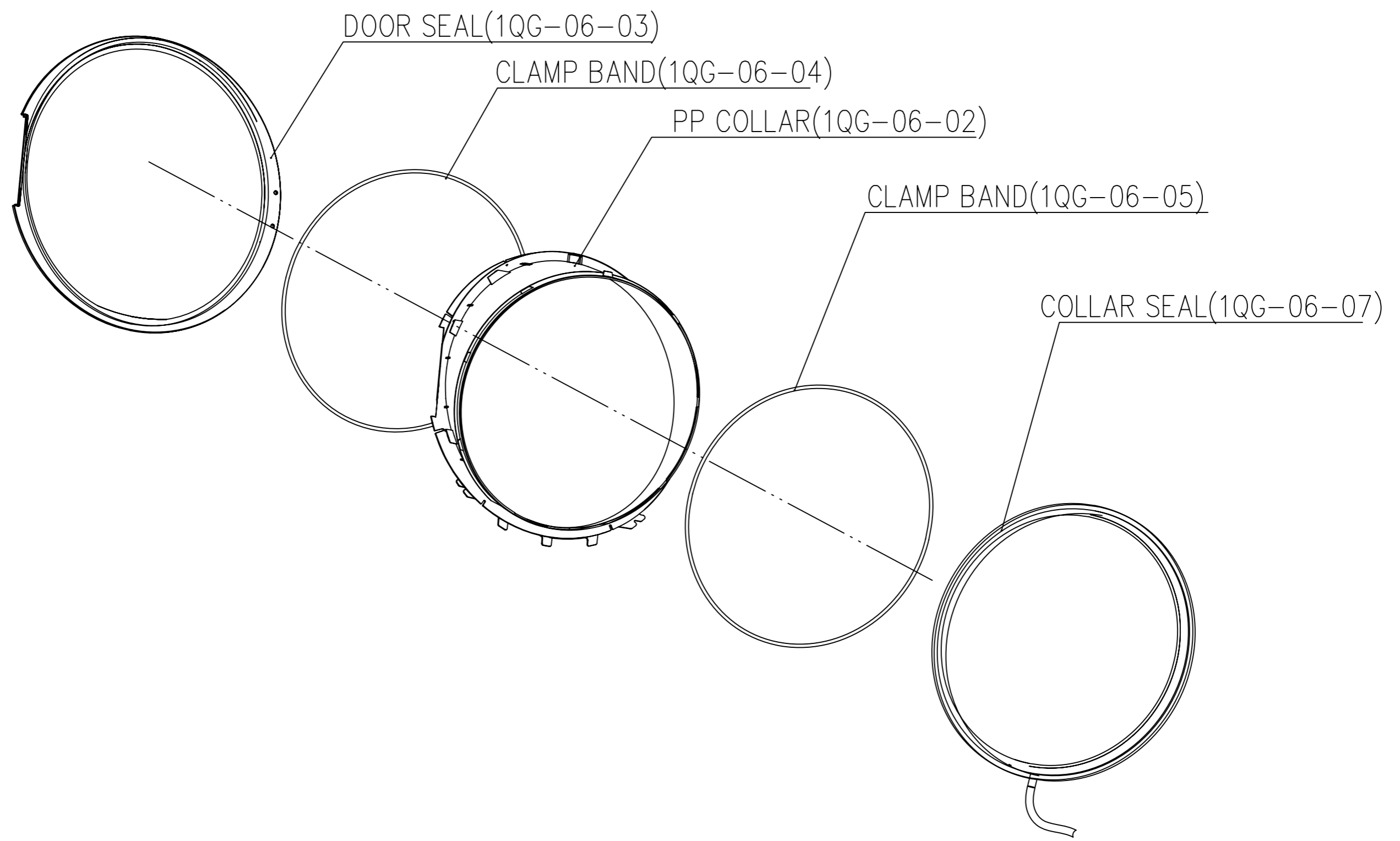
GROUND WIRE

TERMINAL BOX(W451SZ-11)

HOSE SOAP TRAY MAIN WASH(1QG-07-07)

UPPER BACK PANEL





PP COLLAR

BELT(1QG-00-16)

DRUM(1QG-02-01)

FILTER(1QG-02-02)

SEAL RING(1QG-F-03)

MAIN SHIFT(1QG-02-20)

MRUM BASE1QG-02-03)

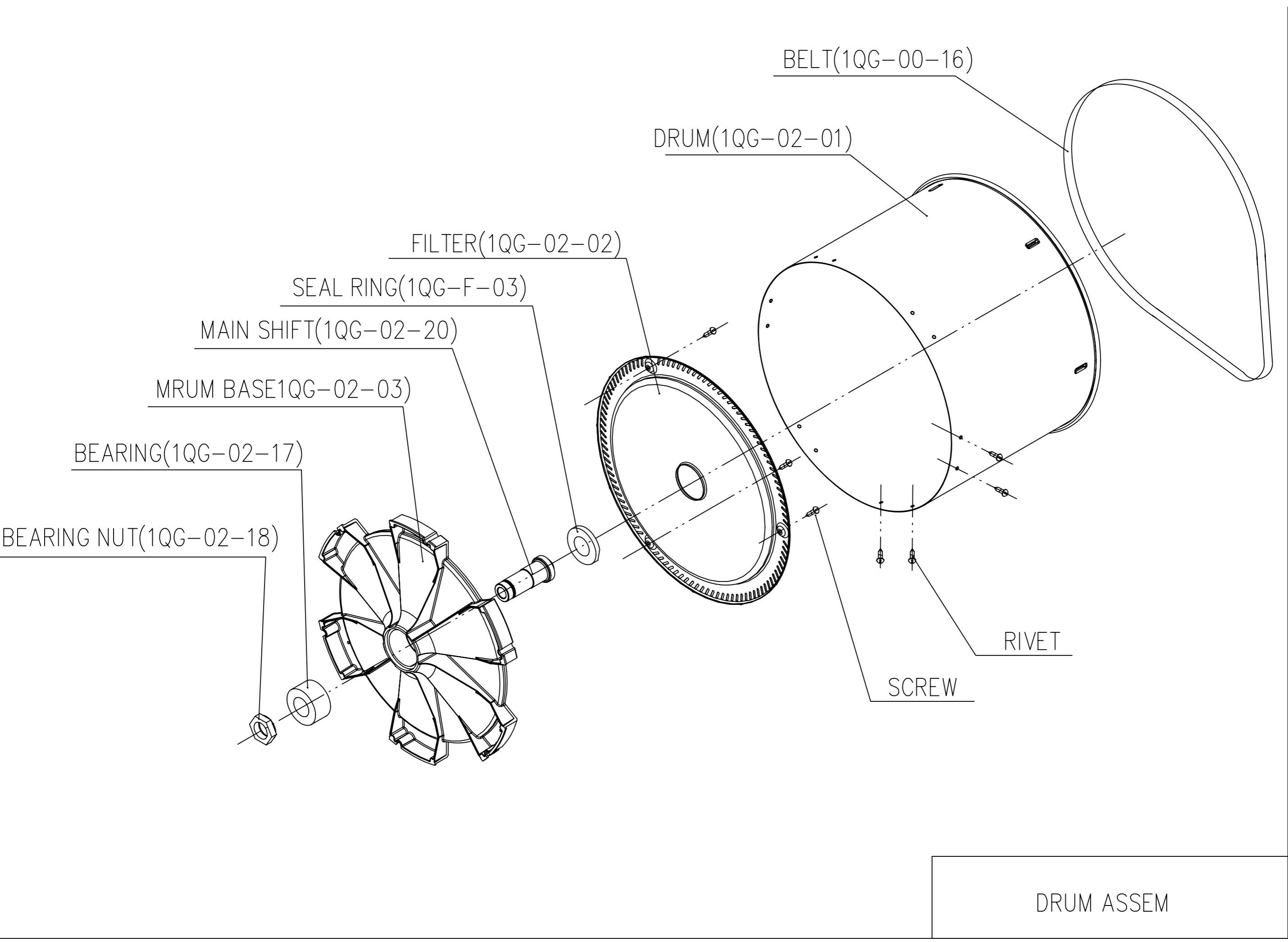
BEARING(1QG-02-17)

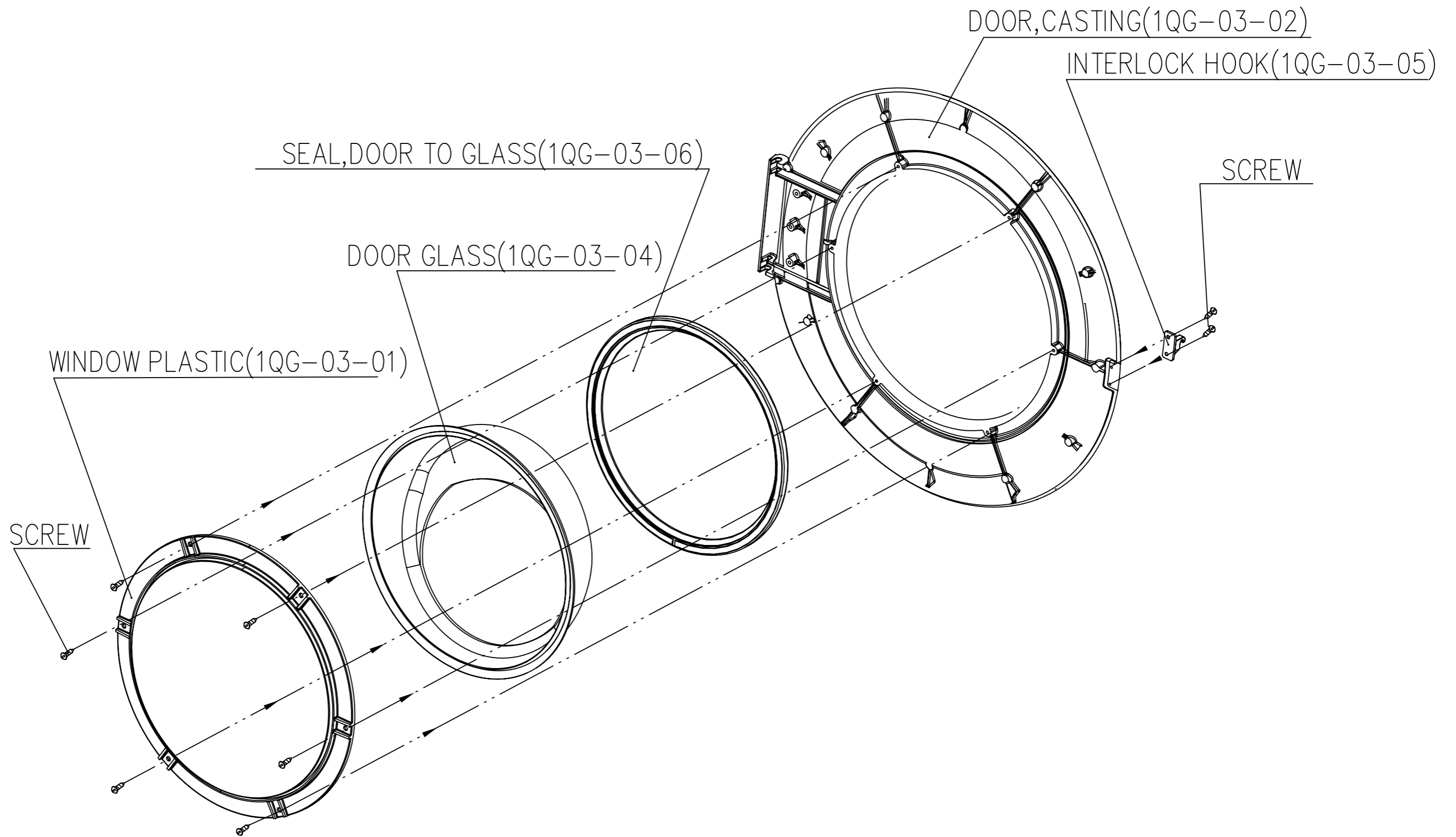
BEARING NUT(1QG-02-18)

RIVET

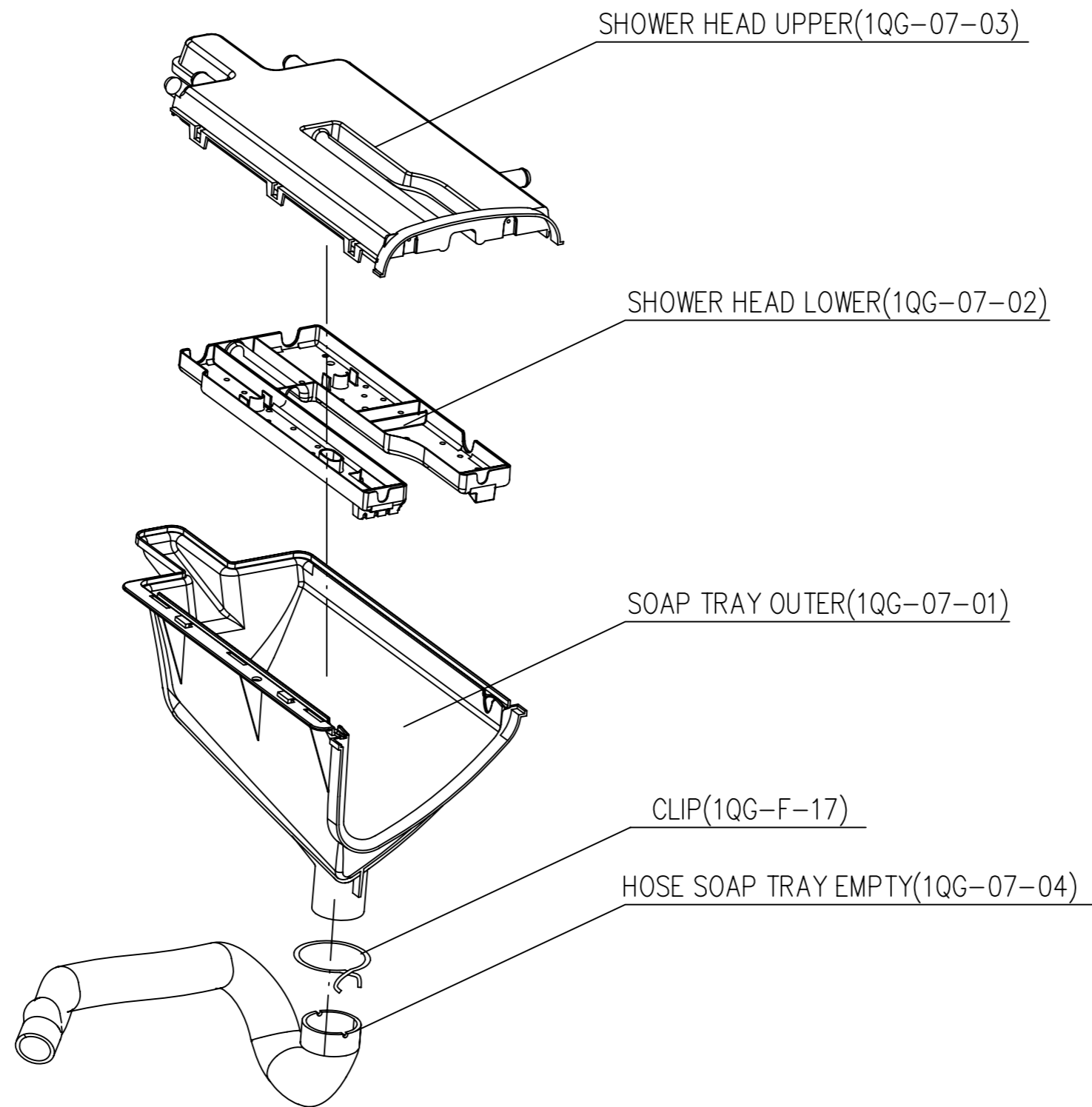
SCREW

DRUM ASSEM





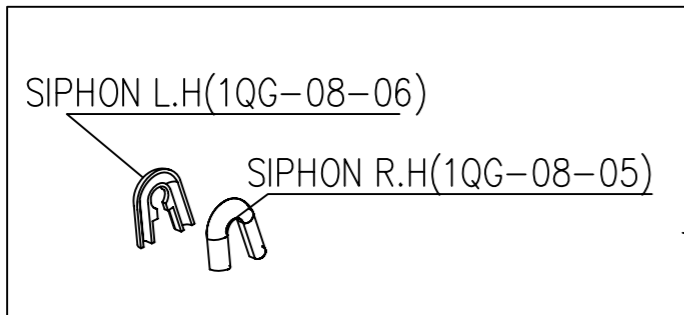
DOOR ASSY



SOAP TRAY OUTER ASSEM

SIPHON L.H(1QG-08-06)

SIPHON R.H(1QG-08-05)



LOCK(1QG-08-07)

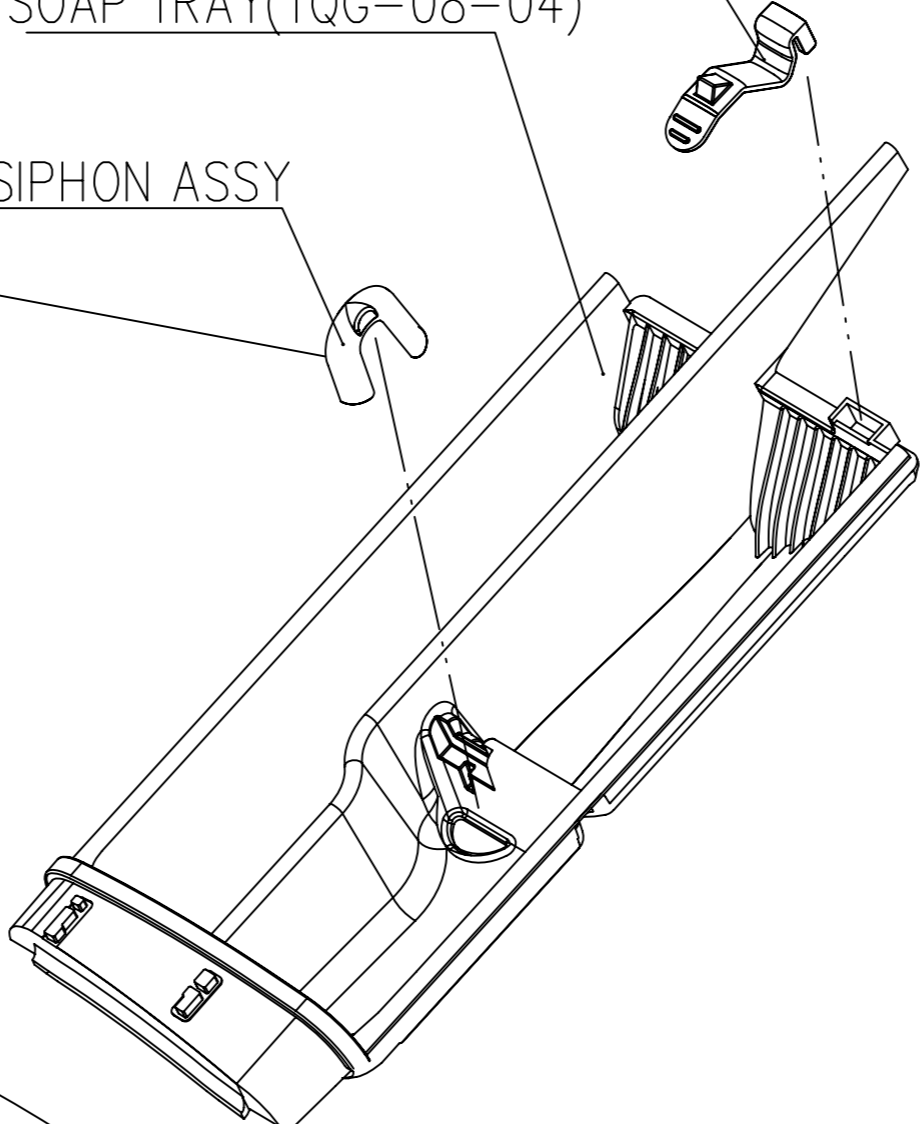
SOAP TRAY(1QG-08-04)

SIPHON ASSY

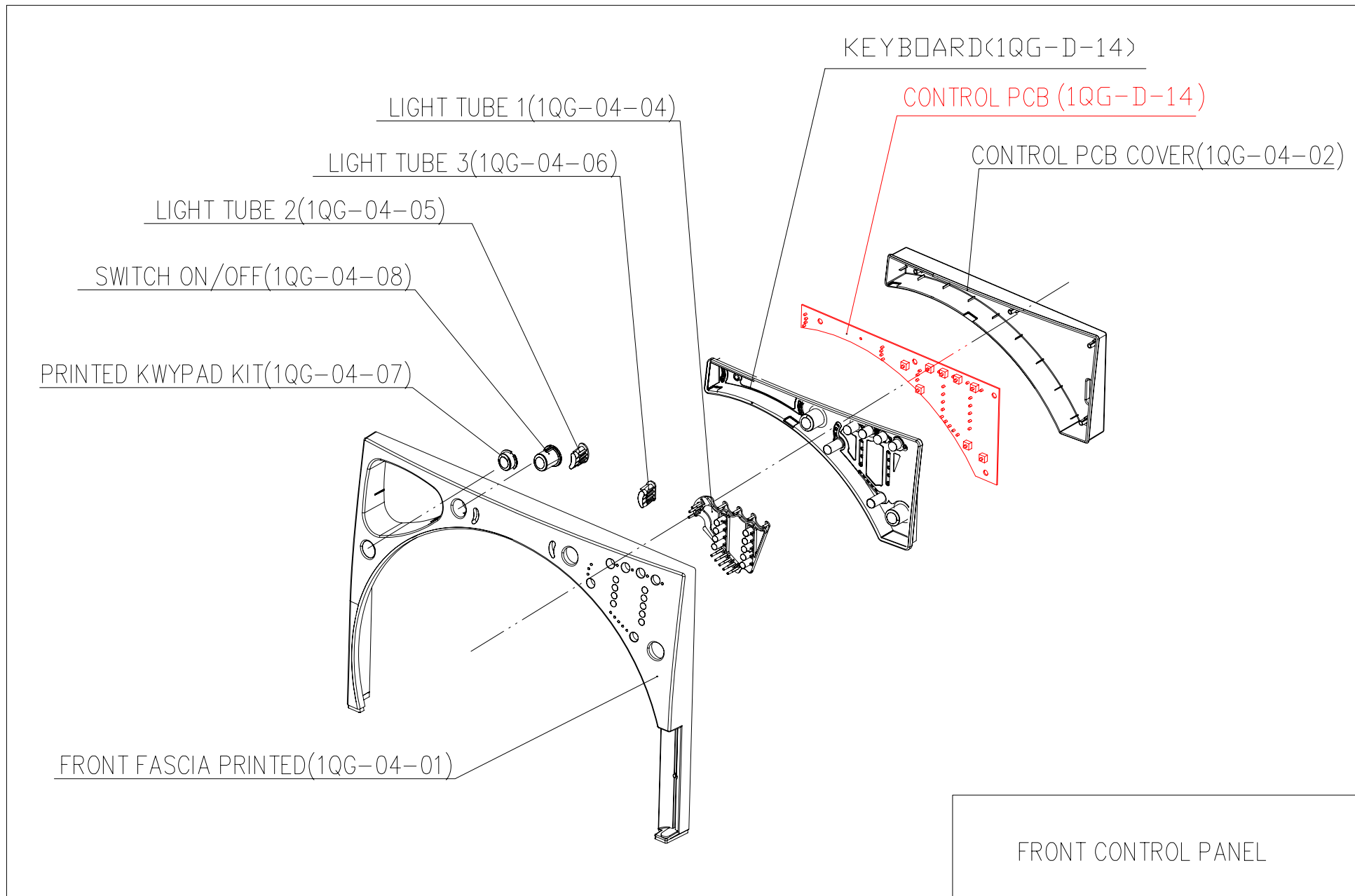
HANDLE(1QG-08-01)

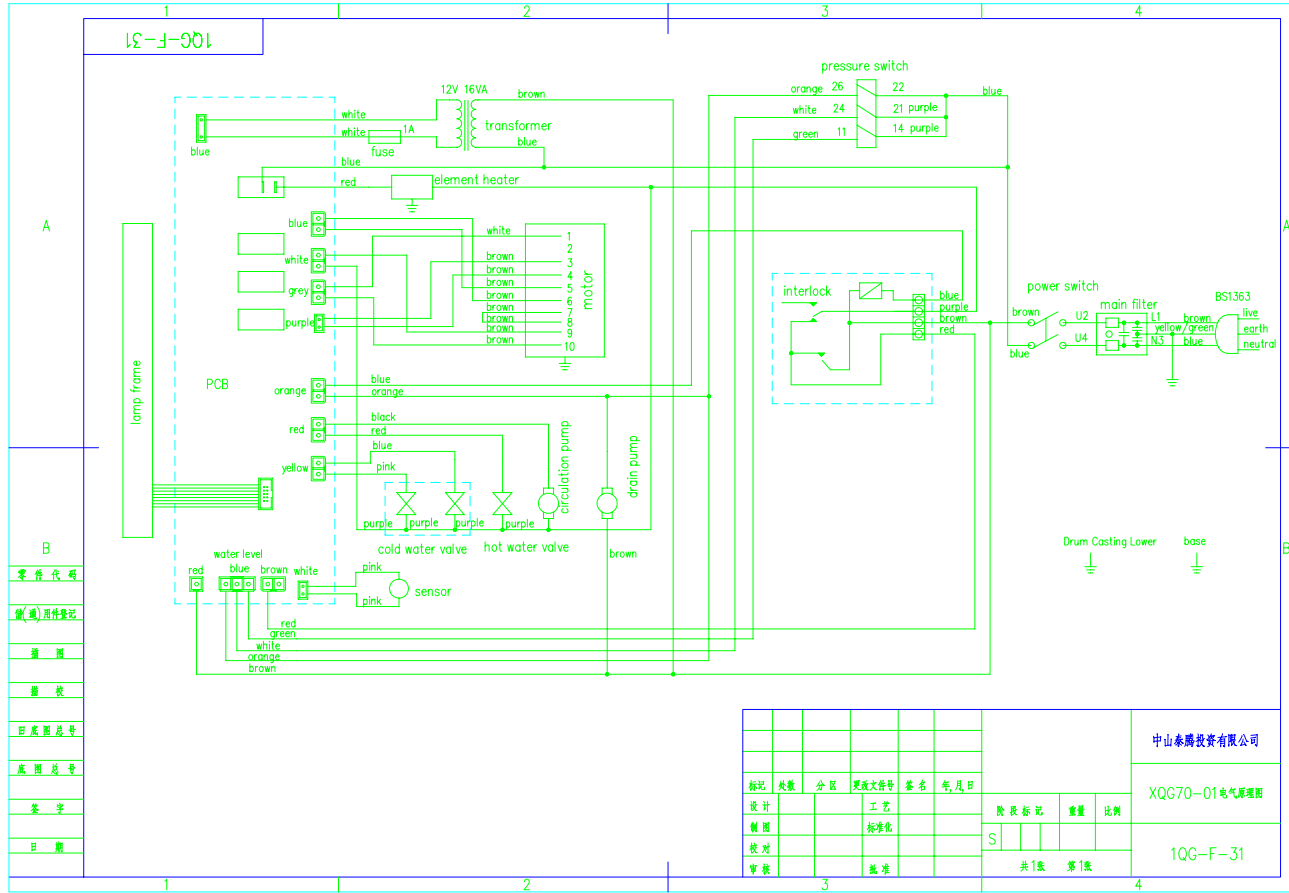
LEAF SPRING(1QG-08-03)

FLAP(1QG-08-02)



SOAP TRAY ASSEM





零件代号
备注/附件备注
插图
描述
图底图总号
底图总号
签字
日期

					中山泰瑞投资有限公司			
					XQG70-01电气原理图			
					1QG-F-31			
标记	处数	分区	更改文件号	签名	年月日	阶段标记	重量	比例
设计						S		
制图								
校对								
审核								
					共1张 第1张			

# Ersatzteilkatalog EUDORA TITAN

Art. Nr.:	Beschreibung	Beschreibung	Pos.
WM120501	Door glass seal	Türglasdichtung	1QG-03-06
WM111101	Transformer	Transformator	1QG-D-03
WM100201	Power PCB	Elektronik Modul	1QG-D-05
WM100101	Control PCB	Elektronik Tasten	1QG-D-14
WM800201	Door interlock + interlock hook	Türverriegelung	1 QG-00-14
WM030401	Door seal + wire retainer & spring	Türdichtung	1QG-06-03
WM800501	Switch on/off	Schalter Ein/Aus	1QG-04-07
WM030701	Collar to tank seal + wire retainer (front & rear)	Tankdichtung	1QG-06-07
WM021201	Gaiter assembly	Faltenbalg	1QG-02-13/14/15/16
WM030501	Belt cover + belt cover press plate	Riemenabdeckung	1QG-00-18
WM960101	Drive belt	Antriebsriemen	1QG-00-16
WM060001	Motor & drive pulley	Motor	1QG-D-09
WM890401	Drain pump	Ablaufpumpe	1QG-D-13
WM890501	Recirculating pump	Rücksaugpumpe	1QG-D-13
WM090501	Hose - pump to tank + clip	Schlauch Pumpe-Bottich	1QG-01-13
WM090601	Hose - pump to axle + clip	Schlauch Pumpe-Rücksaugung	1QG-01-12
WM830101	Heater element	Heizelement	1QG-D-11
WM921001	Thrust bearing	Führungslager	1QG-01-10
WM920501	Water inlet O ring	O-Ring Wassereinlass	
WM090401	Hose - soap tray empty + clip	Schlauch WMK-Bottich	1QG-07-04
WM090101	Hose - soap tray fabric conditioner + clip	Schlauch Weichspüler	
WM090201	Hose - soap tray prewash	Schlauch Vorwäsche	1QG-07-05
WM090301	Hose - soaptray mainwash	Schlauch Hauptwäsche	1QG-07-07
WM031801	Hose - pressure switch to tank	Schlauch Druckwächter	
WM980501	Levelling foot	Verstellbare FüÙe	1QG-01-22
WM890201	Cold water valve (double)	E-Ventil	1QG-D-06
WM890301	Pressure switch	Druckwächter	1QG-D-08
WM790201	Inlet hose -blue	Zuflussschlauch blau	1QG-B-13
WM790301	Drain hose + clip	Ablaufschlauch	1QG-01-25
WM800601	Mains cable + Plug	Netzkabel	1QG-D-10