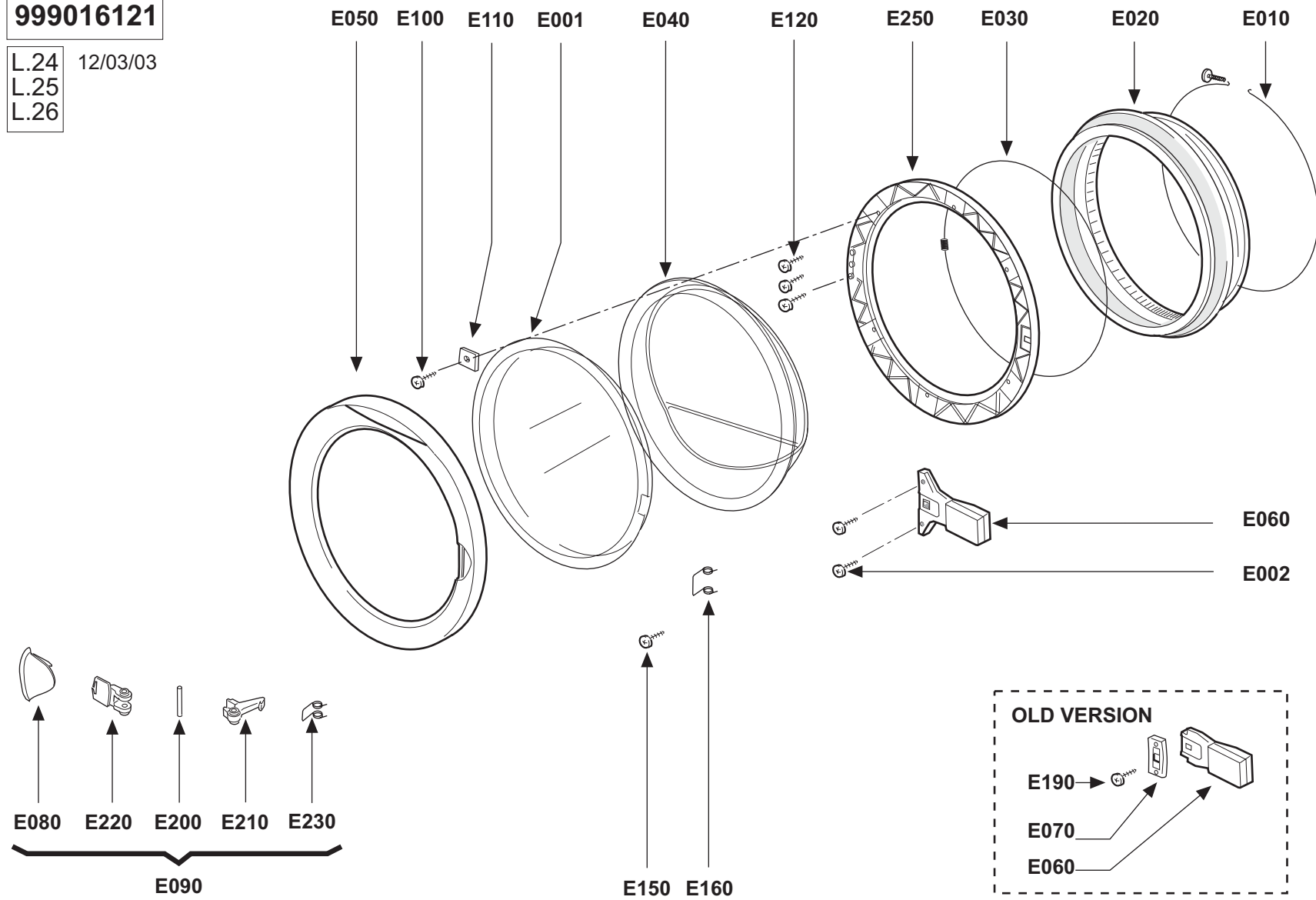
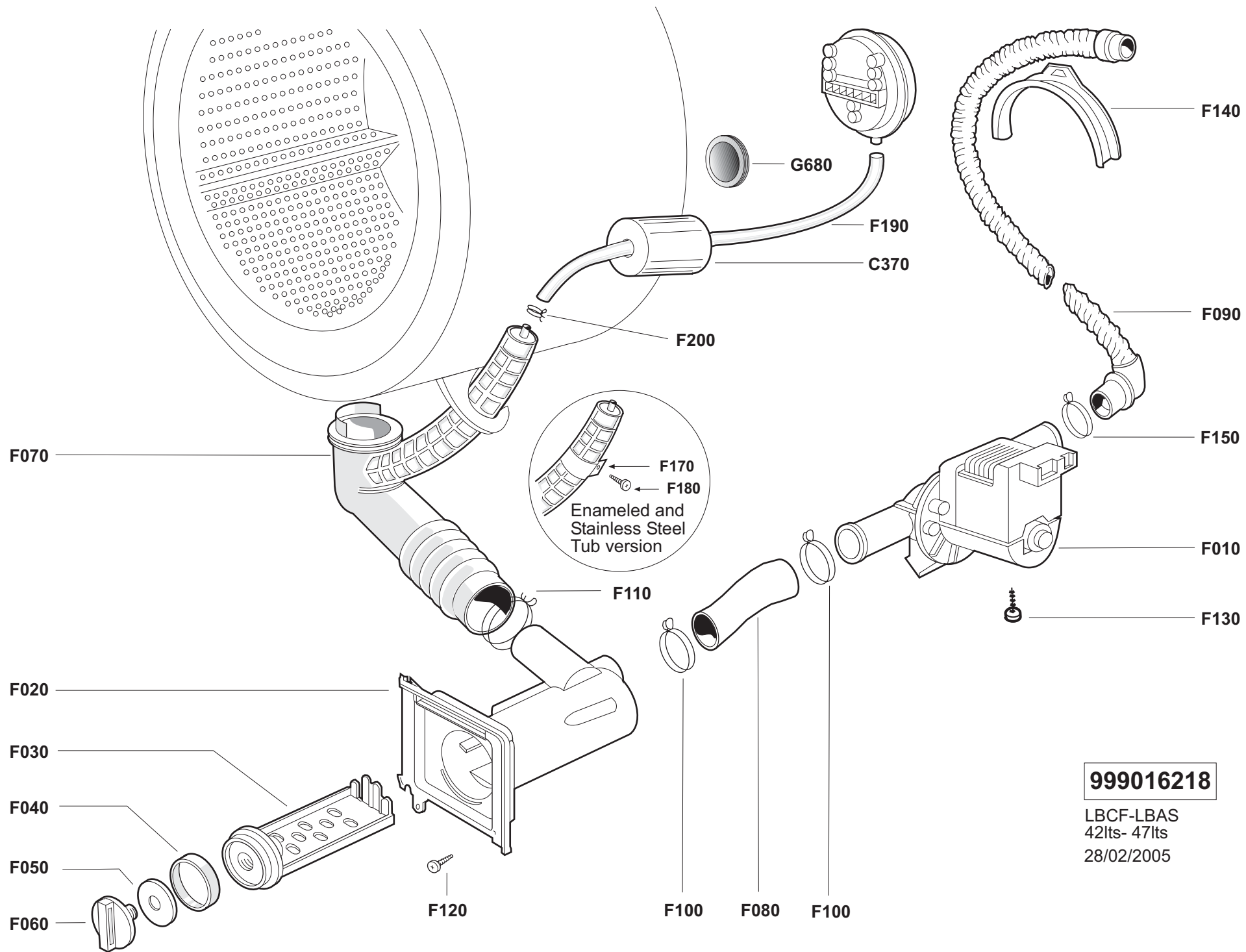


**999016121**

L.24 12/03/03  
L.25  
L.26





**999016218**

LBCF-LBAS  
 42lts- 47lts  
 28/02/2005

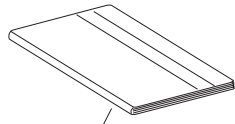
**999016228**

**SHRINK PACKING FREE-STANDING**

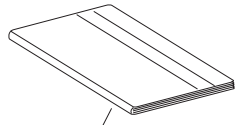
14/09/2006

Z290

Z310



**Z330**  
INSTRUCTIONS  
FOR USE

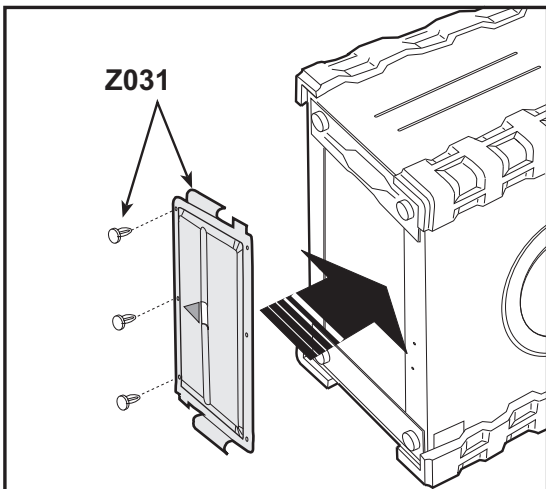


**Z025**  
TECHNICAL DATAS  
BOOKLET

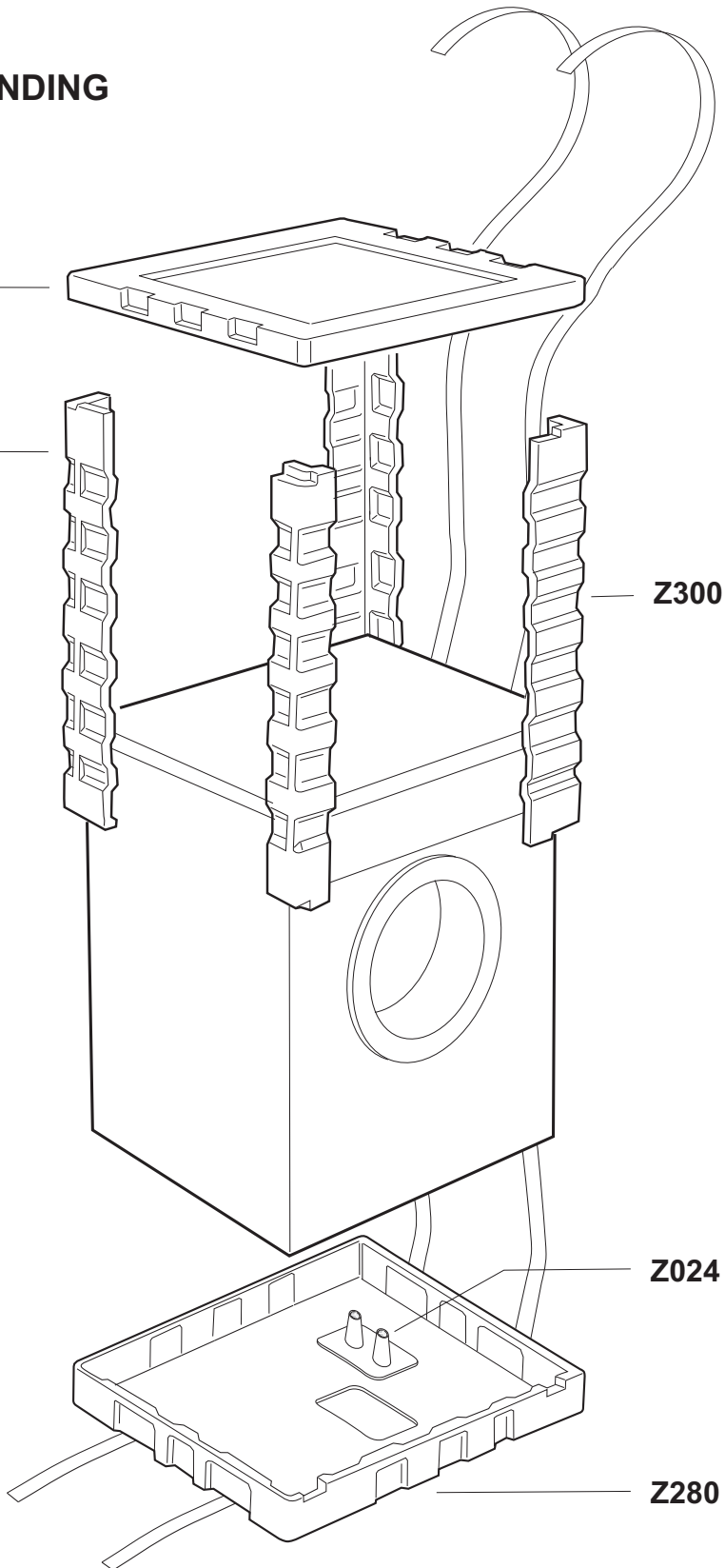
Z300

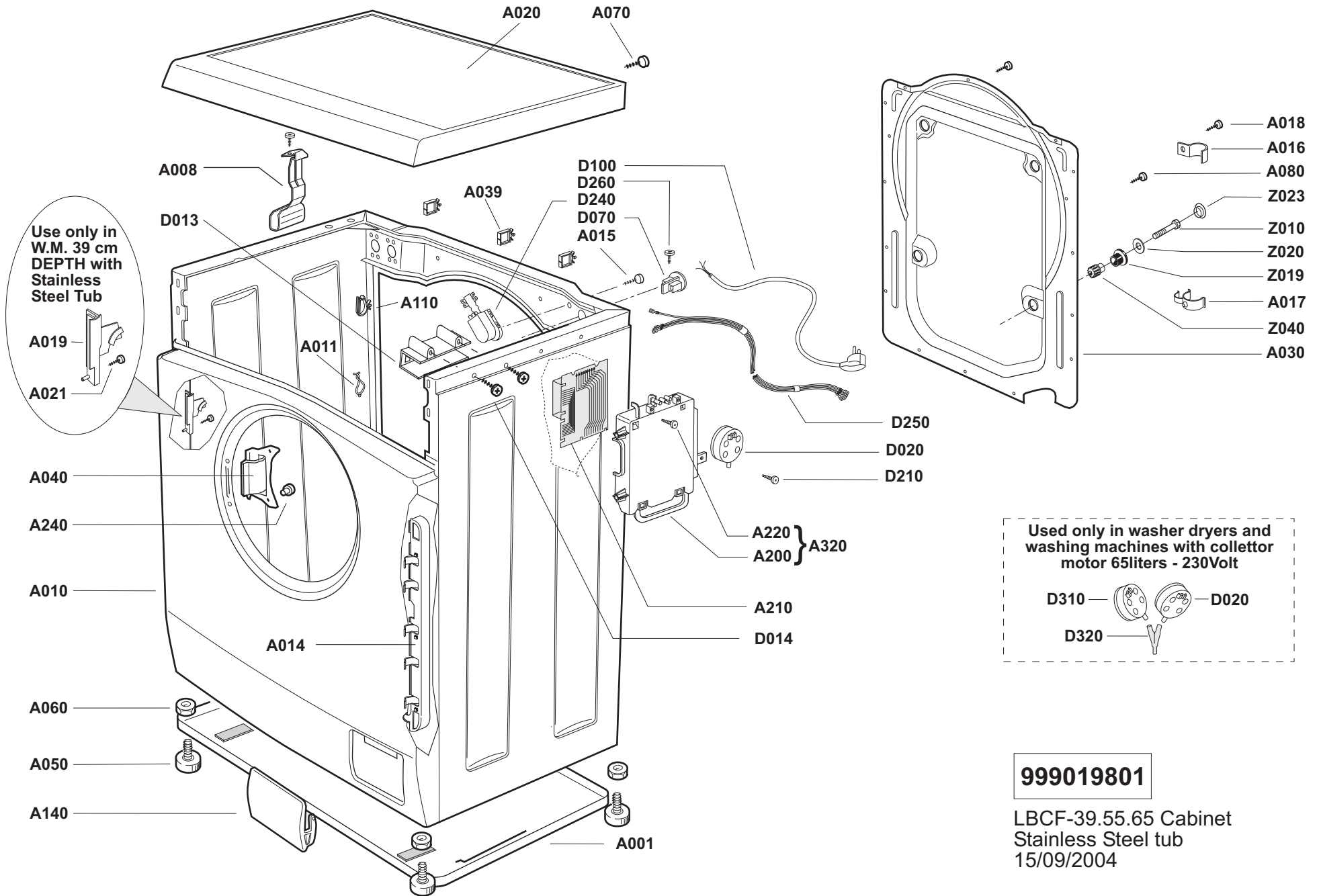
Z024

Z280



**Used only for Washing Machines  
33 and 39 cm depth**





Use only in  
W.M. 39 cm  
DEPTH with  
Stainless  
Steel Tub



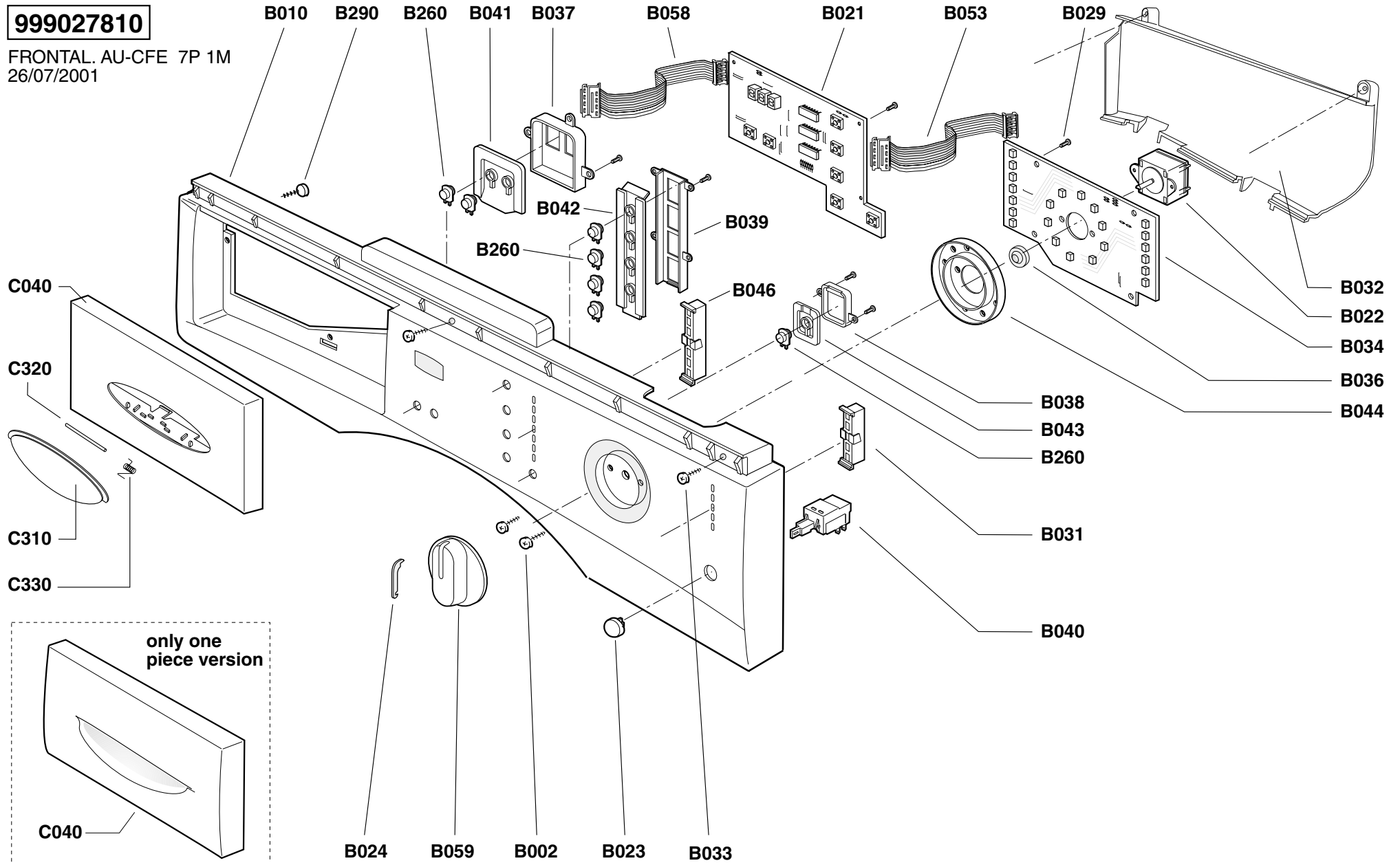
Used only in washer dryers and  
washing machines with collector  
motor 65liters - 230Volt

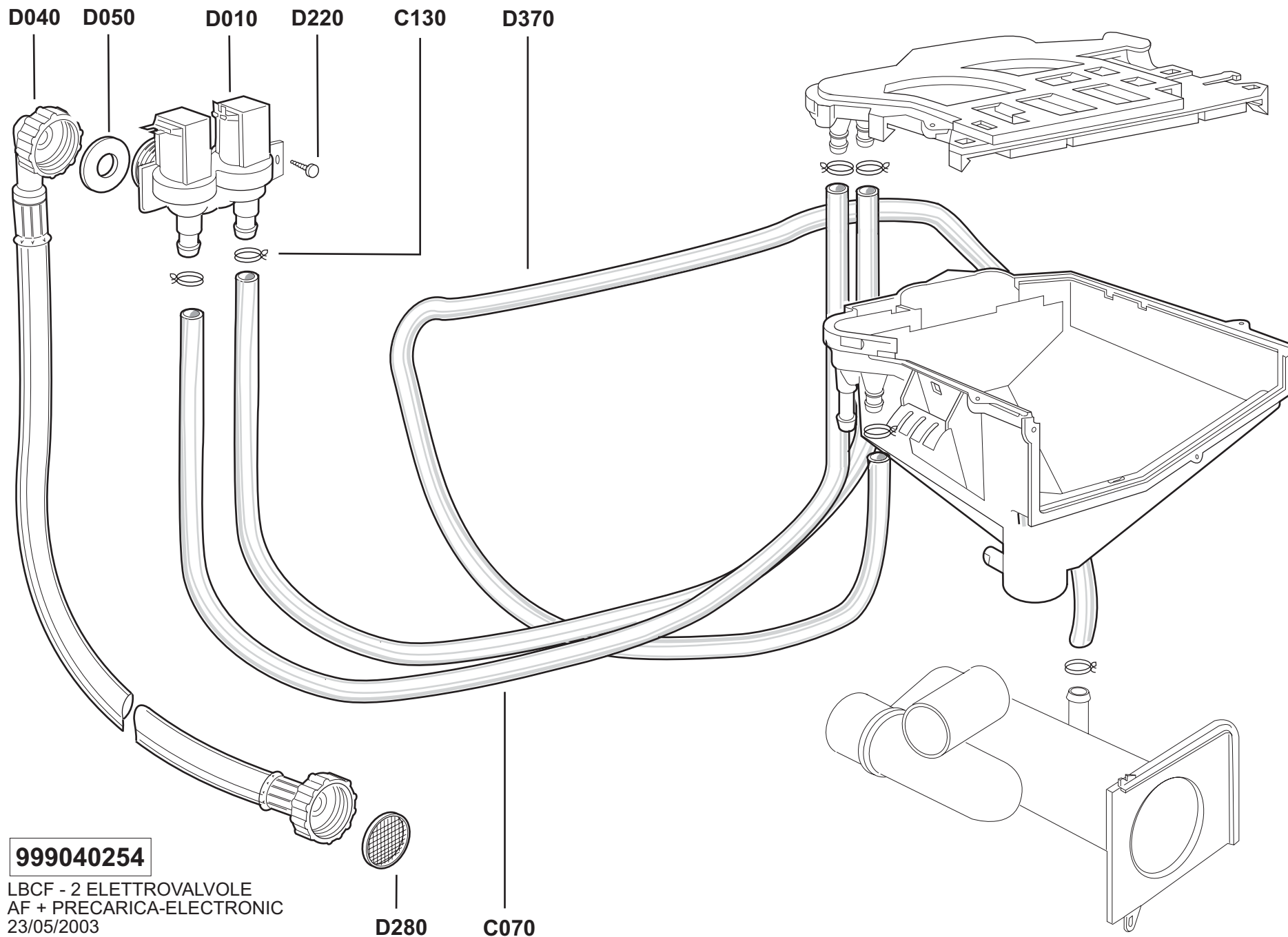
**999019801**

**LBCF-39.55.65 Cabinet**  
**Stainless Steel tub**  
**15/09/2004**

**999027810**

FRONTAL. AU-CFE 7P 1M  
26/07/2001



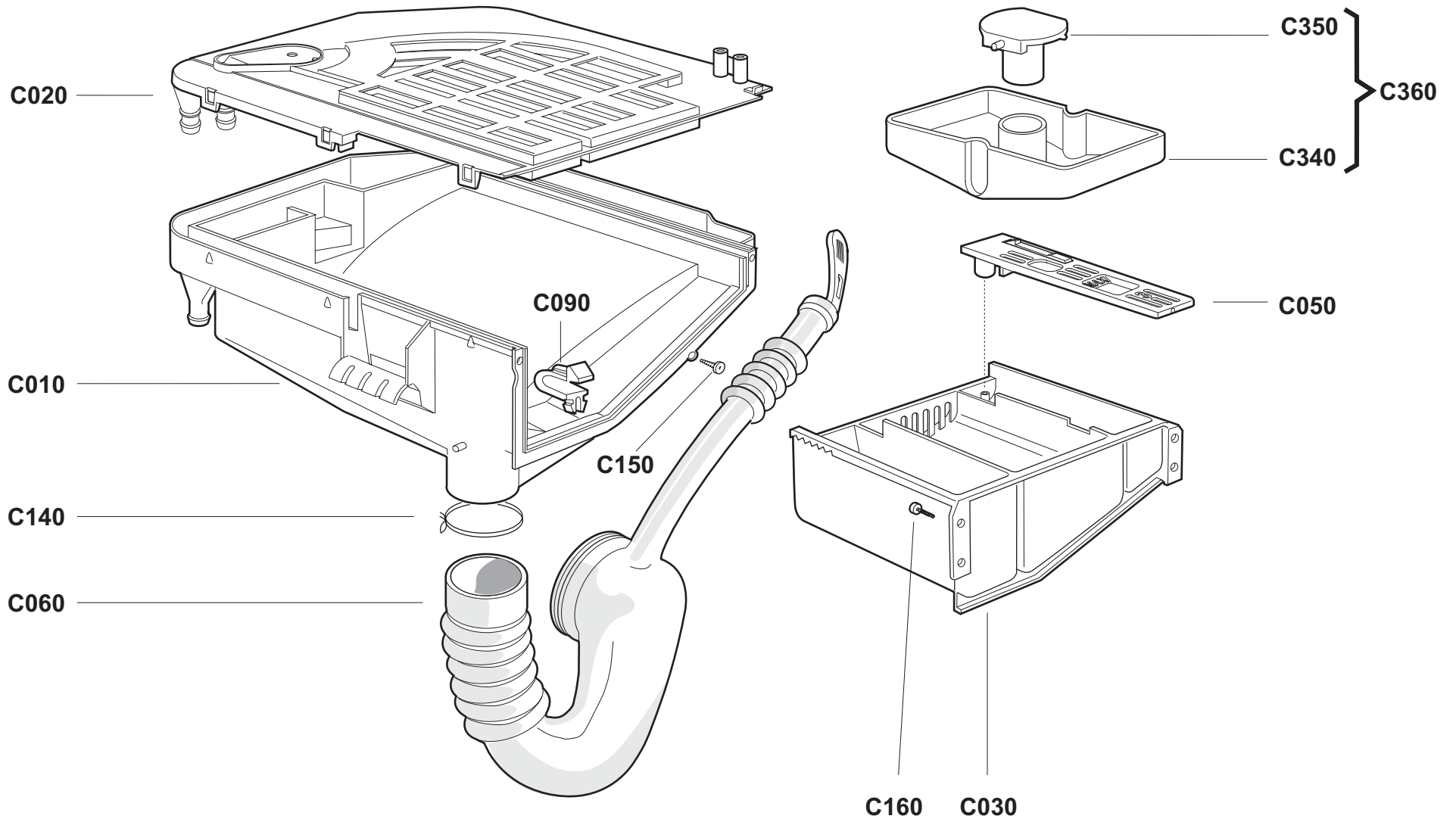


**999040254**

LBCF - 2 ELETTROVALVOLE  
 AF + PRECARICA-ELECTRONIC  
 23/05/2003

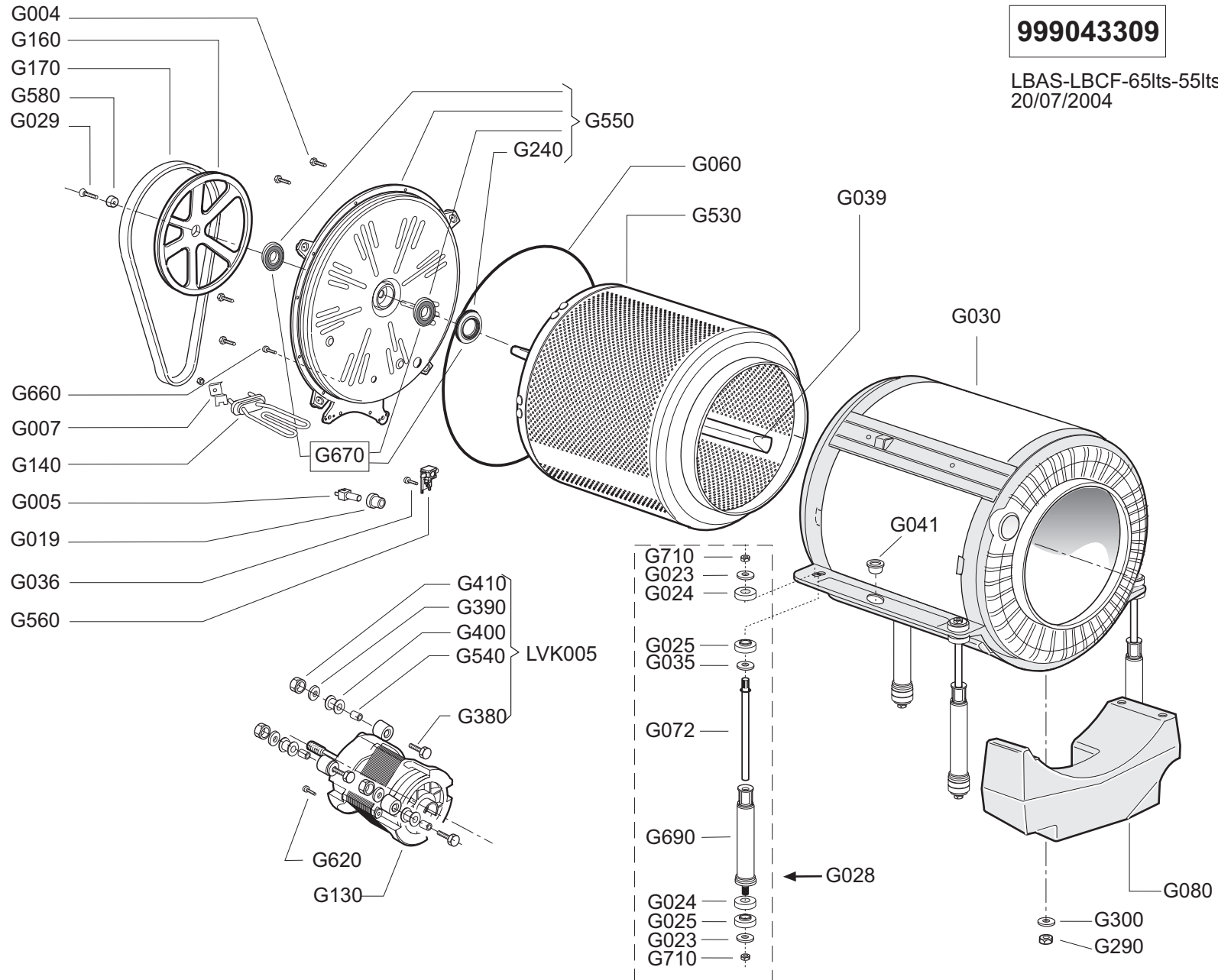
**999040364**

CFE with 2 Water Valve  
12/03/2003



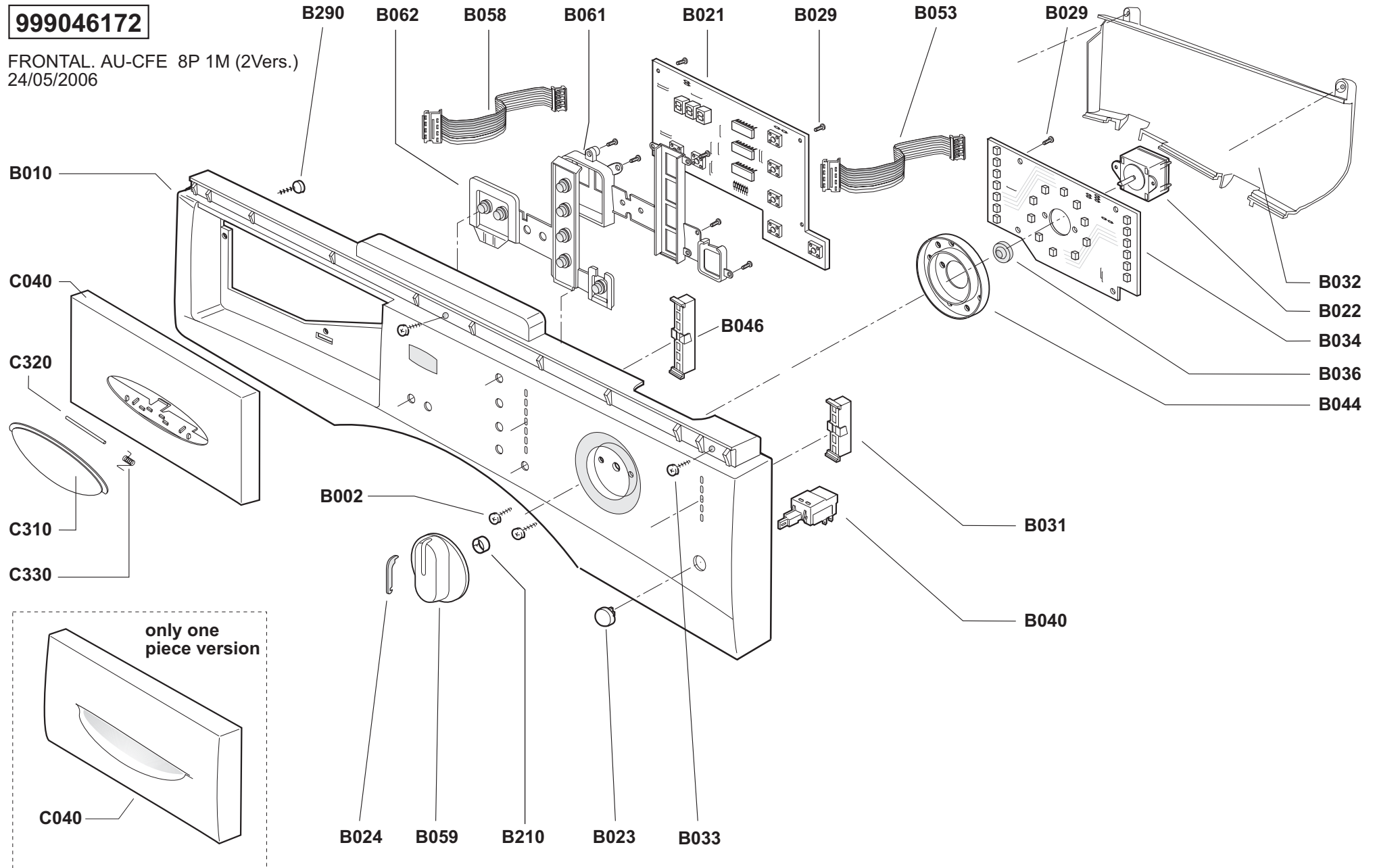
**999043309**

LBAS-LBCF-65lts-55lts  
20/07/2004



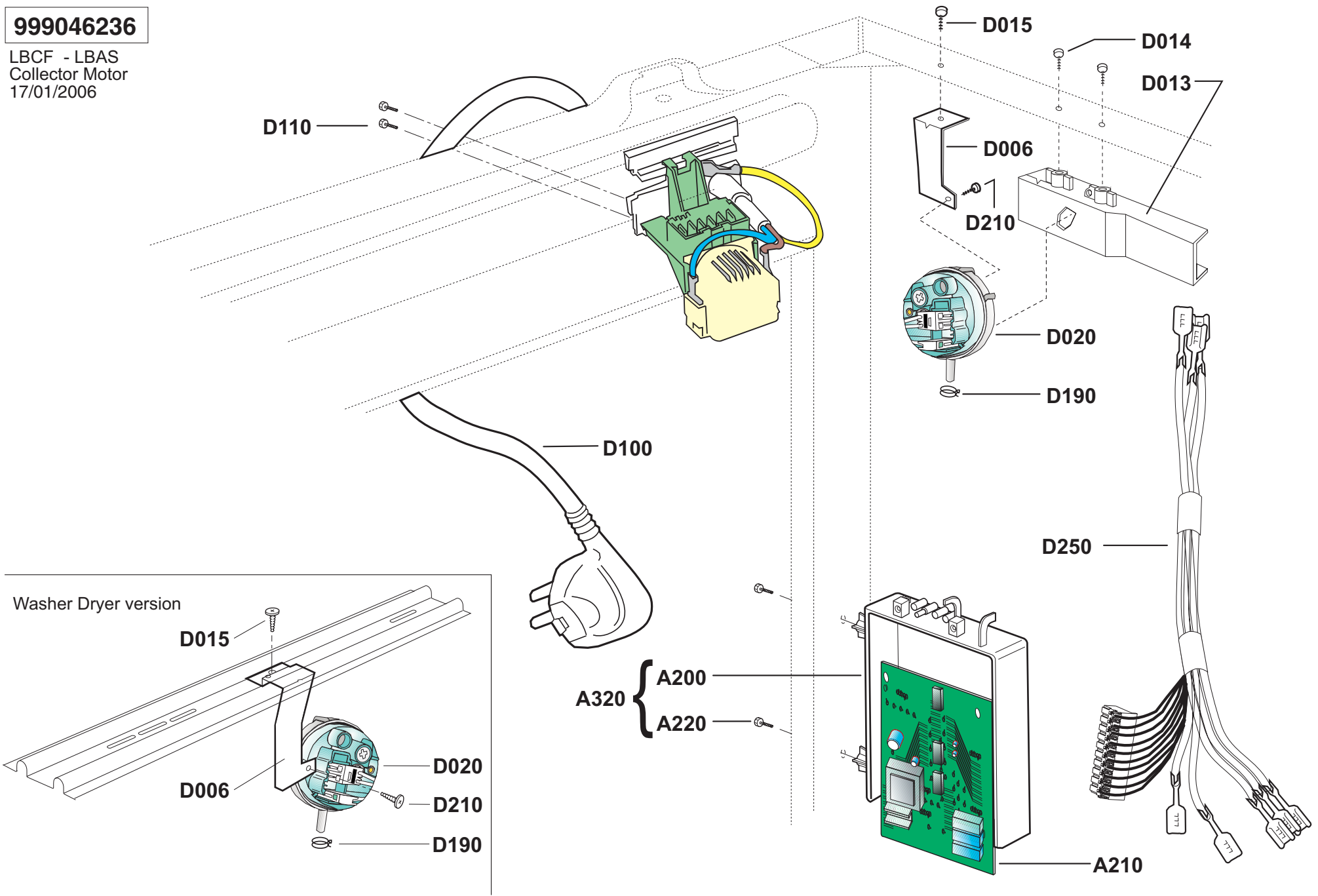
**999046172**

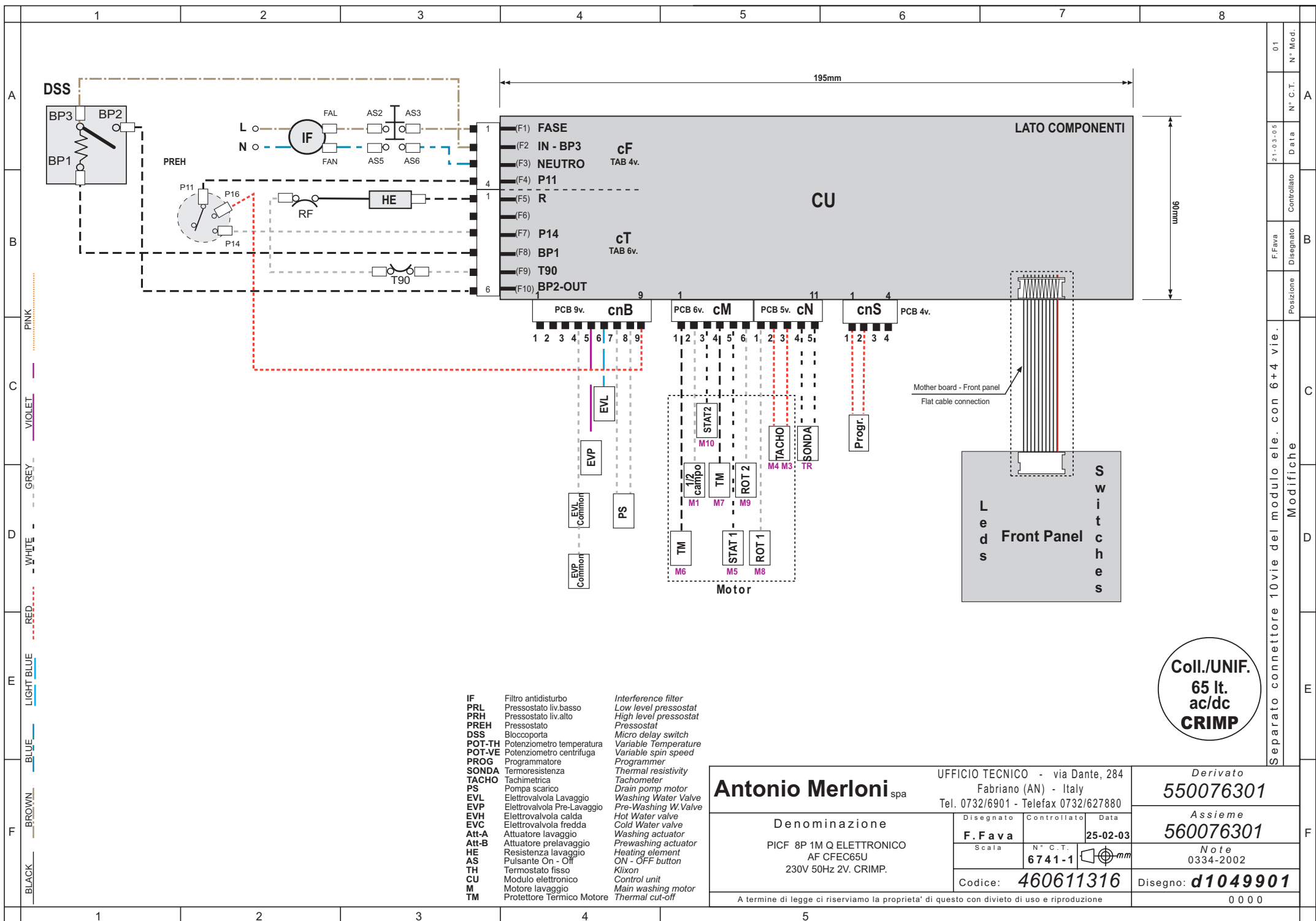
FRONTAL. AU-CFE 8P 1M (2Vers.)  
24/05/2006



**999046236**

LBCF - LBAS  
Collector Motor  
17/01/2006





- A
- B
- C
- D
- E
- F

- 1
- 2
- 3
- 4
- 5
- 6
- 7
- 8

- |        |                             |                       |
|--------|-----------------------------|-----------------------|
| IF     | Filtro antidisturbo         | Interference filter   |
| PRL    | Pressostato liv.basso       | Low level pressostat  |
| PRH    | Pressostato liv.alto        | High level pressostat |
| PREH   | Pressostato                 | Pressostat            |
| DSS    | Bloccoporta                 | Micro delay switch    |
| POT-TH | Potenzimetro temperatura    | Variable Temperature  |
| POT-VE | Potenzimetro centrifuga     | Variable spin speed   |
| PROG   | Programmatore               | Programmer            |
| SONDA  | Termoresistenza             | Thermal resistivity   |
| TACHO  | Tachimetrica                | Tachometer            |
| PS     | Pompa scarico               | Drain pump motor      |
| EVL    | Elettrovalvola Lavaggio     | Washing Water Valve   |
| EVP    | Elettrovalvola Pre-Lavaggio | Pre-Washing W.Valve   |
| EVH    | Elettrovalvola calda        | Hot Water valve       |
| EVC    | Elettrovalvola fredda       | Cold Water valve      |
| Att-A  | Attuatore lavaggio          | Washing actuator      |
| Att-B  | Attuatore prelavaggio       | Prewashing actuator   |
| HE     | Resistenza lavaggio         | Heating element       |
| AS     | Pulsante On - Off           | ON - OFF button       |
| TH     | Termostato fisso            | Klixon                |
| CU     | Modulo elettronico          | Control unit          |
| M      | Motore lavaggio             | Main washing motor    |
| TM     | Protettore Termico Motore   | Thermal cut-off       |

**Coll./UNIF.**  
65 lt.  
ac/dc  
**CRIMP**

<b>Antonio Merloni</b> spa		UFFICIO TECNICO - via Dante, 284 Fabriano (AN) - Italy Tel. 0732/6901 - Telefax 0732/627880		Derivato <b>550076301</b>	
Denominazione		Disegnato		Data	
PICF 8P 1M Q ELETTRONICO AF CFEC65U 230V 50Hz 2V. CRIMP.		<b>F. Fava</b>		25-02-03	
A termine di legge ci riserviamo la proprieta' di questo con divieto di uso e riproduzione		Scala		N° C.T.	
		6741-1		0334-2002	
		Codice:		Disegno:	
		<b>460611316</b>		<b>d1049901</b>	
				0 0 0 0	

Separato connettore 10vie del modulo ele. con 6+4 vie.

Modifiche

Posizione

Disegnato

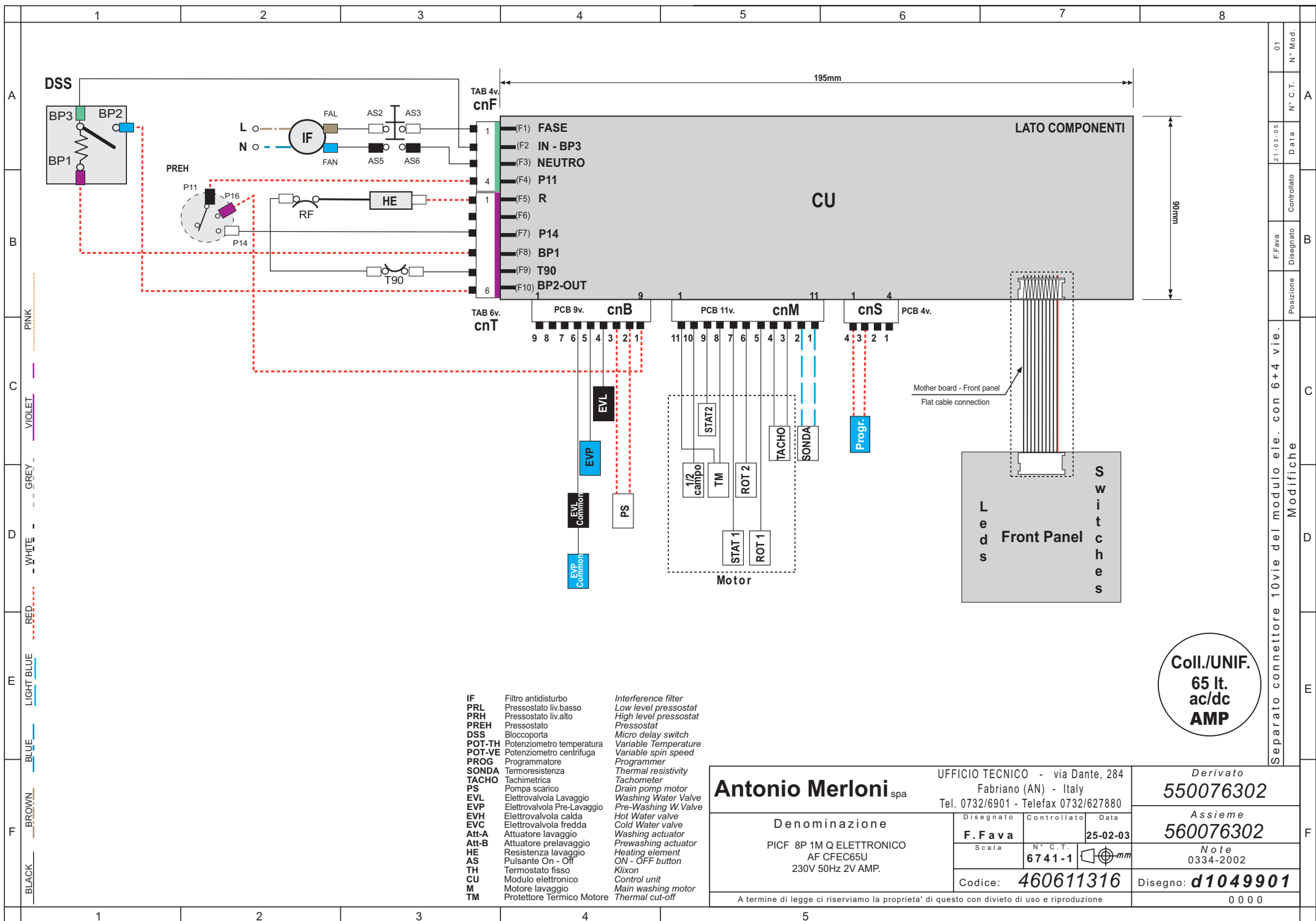
F.Fava

Controllato

Data

N° C.T.

N° Mod.



A  
B  
C  
D  
E  
F

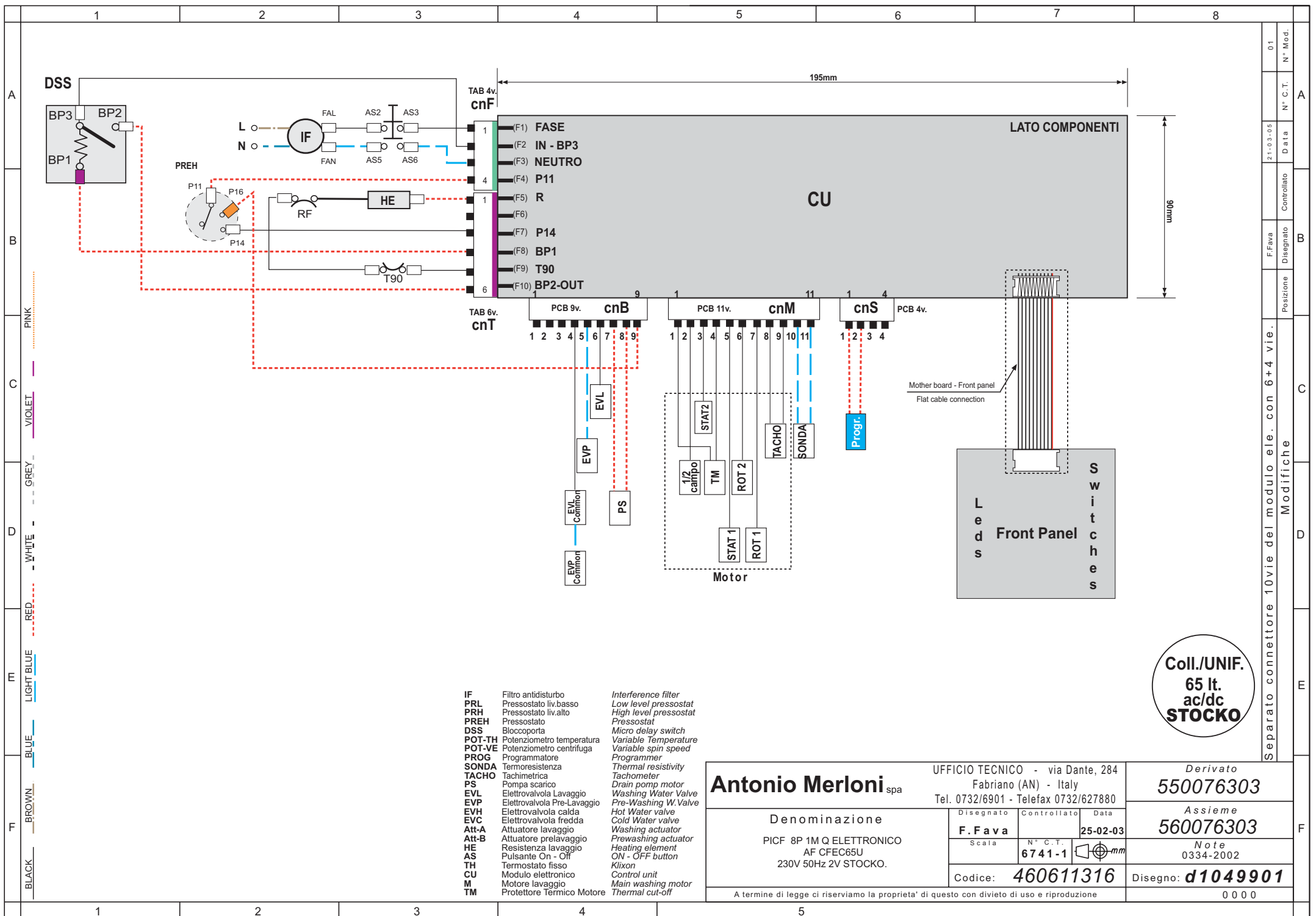
PINK  
VIOLET  
GREY  
WHITE  
RED  
LIGHT BLUE  
BLUE  
BROWN  
BLACK

- |        |                             |                       |
|--------|-----------------------------|-----------------------|
| IF     | Filtro antidisturbo         | Interference filter   |
| PRL    | Pressostato liv.basso       | Low level pressostat  |
| PRH    | Pressostato liv.alto        | High level pressostat |
| PREH   | Pressostato                 | Pressostat            |
| DSS    | Bloccoporta                 | Micro delay switch    |
| POT-TH | Potenzimetro temperatura    | Variable Temperature  |
| POT-VE | Potenzimetro centrifuga     | Variable spin speed   |
| PROG   | Programmatore               | Programmer            |
| SONDA  | Termoresistenza             | Thermal resistivity   |
| TACHO  | Tachimetrica                | Tachometer            |
| PS     | Pompa scarico               | Drain pump motor      |
| EVL    | Elettrovalvola Lavaggio     | Washing Water Valve   |
| EVP    | Elettrovalvola Pre-Lavaggio | Pre-Washing W.Valve   |
| EVC    | Elettrovalvola calda        | Hot Water Valve       |
| Att-A  | Elettrovalvola fredda       | Cold Water valve      |
| Att-B  | Attuatore lavaggio          | Washing actuator      |
| HE     | Resistenza lavaggio         | Prewashing actuator   |
| AS     | Pulsante On - Off           | Heating element       |
| TH     | Termostato fisso            | ON - OFF button       |
| CU     | Modulo elettronico          | Klixon                |
| M      | Motore lavaggio             | Control unit          |
| TM     | Protettore Termico Motore   | Main washing motor    |
|        |                             | Thermal cut-off       |

**Coll./UNIF.**  
65 lt.  
ac/dc  
**AMP**

<b>Antonio Merloni</b> spa Denominazione PICF 8P 1M Q ELETTRONICO AF CFEC65U 230V 50Hz 2V AMP.		UFFICIO TECNICO - via Dante, 284 Fabriano (AN) - Italy Tel. 0732/6901 - Telefax 0732/627880		Derivato <b>550076302</b>	
		Disegnato <b>F. Fava</b>		Controllato Data <b>25-02-03</b>	
Codice: <b>460611316</b>		Note 0334-2002		Assieme <b>560076302</b>	
A termine di legge ci riserviamo la proprieta' di questo con divieto di uso e riproduzione		Disegno: <b>d1049901</b>		0 0 0	

Separato connettore 10vie del modulo ele. con 6+4 vie.  
 Modifiche  
 Posizione  
 F.Fava  
 Disegnato  
 Controllato  
 Data  
 N° C.T.  
 N° Mod.



A  
B  
C  
D  
E  
F  
 PINK  
VIOLET  
GREY  
WHITE  
RED  
LIGHT BLUE  
BLUE  
BROWN  
BLACK

01 N° Mod.  
 21-03-05 Data  
 F.Fava Disegnato  
 Controllato  
 Posizione  
 Modifiche  
 Separato connettore 10vie del modulo ele. con 6+4 vie.

- |        |                             |                       |
|--------|-----------------------------|-----------------------|
| IF     | Filtro antidisturbo         | Interference filter   |
| PRL    | Pressostato liv.basso       | Low level pressostat  |
| PRH    | Pressostato liv.alto        | High level pressostat |
| PREH   | Pressostato                 | Pressostat            |
| DSS    | Bloccoporta                 | Micro delay switch    |
| POT-TH | Potenzimetro temperatura    | Variable Temperature  |
| POT-VE | Potenzimetro centrifuga     | Variable spin speed   |
| PROG   | Programmatore               | Programmer            |
| SONDA  | Termoresistenza             | Thermal resistivity   |
| TACHO  | Tachimetrica                | Tachometer            |
| PS     | Pompa scarico               | Drain pump motor      |
| EVL    | Elettrovalvola Lavaggio     | Washing Water Valve   |
| EVP    | Elettrovalvola Pre-Lavaggio | Pre-Washing W.Valve   |
| EVC    | Elettrovalvola calda        | Hot Water valve       |
| Att-A  | Elettrovalvola fredda       | Cold Water valve      |
| Att-B  | Attuatore lavaggio          | Washing actuator      |
| HE     | Attuatore prelavaggio       | Prewashing actuator   |
| AS     | Resistenza lavaggio         | Heating element       |
| TH     | Pulsante On - Off           | ON - OFF button       |
| CU     | Termostato fisso            | Klixon                |
| M      | Modulo elettronico          | Control unit          |
| TM     | Motore lavaggio             | Main washing motor    |
|        | Protettore Termico Motore   | Thermal cut-off       |

**Coll./UNIF.**  
**65 lt.**  
**ac/dc**  
**STOCKO**

<b>Antonio Merloni</b> spa Denominazione PICF 8P 1M Q ELETTRONICO AF CFEC65U 230V 50Hz 2V STOCKO.		UFFICIO TECNICO - via Dante, 284 Fabriano (AN) - Italy Tel. 0732/6901 - Telefax 0732/627880		Derivato <b>550076303</b>	
		F. Fava Disegnato Controllato Data 25-02-03		Assieme <b>560076303</b>	
Codice: <b>460611316</b>		Disegno: <b>d1049901</b>		Note 0334-2002	
A termine di legge ci riserviamo la proprieta' di questo con divieto di uso e riproduzione				0 0 0	

**Ersatzteilliste**


---

**Maschine**      010576018      LBCF ELIN 16C60XECH-55 DF ELIN WM26AAA A 230V 50HZ 07/2005
 

---

<i>Ersatz.</i>	<i>Pos.Expl.</i>	<i>Beschreib.</i>	<i>Laufzeit</i>		<i>Men</i>
246009900	CFA040	SCHARNIER	01/01/1900	03/04/2005	1
246021500	CFA040	SCHARNIER	03/04/2005	31/12/4999	1
266012200	CFG007	WIDERSTANDS-BEFESTIGUNGSPLATTE	01/01/1900	31/12/4999	1
268108500	CFG160	RIEMENSCHLEIBE ANTRIEB	01/01/1900	31/12/4999	1
276006701	CFA030	RUCKWARTIGER DECKEL	01/01/1900	31/12/4999	1
322067600	CFC310	DECKEL FUER HANDGRIFF	01/01/1900	31/12/4999	1
324002800	CFE080	SICHTFENSTERGRIFF	01/01/1900	31/12/4999	1
326120400	CFB059	DREHKNOF UMSCHALTER	01/01/1900	31/12/4999	1
330088500	CFC020	WASCHMITTEL-DECKEL-BEHALTER	01/01/1900	31/12/4999	1
332044500	CFB023	ON-OFF TASTE	01/01/1900	31/12/4999	1
332045100	CFB260	DRUCKTASTE	01/01/1900	31/07/2005	7
332074300	CFB062	STIRNBRETT-TASTEN MIT DICHTUNG	01/01/1900	31/12/4999	1
336008300	CFB024	INDEX PROGRAMMWAHLSCHALTER	01/01/1900	31/12/4999	1
338003100	CFE050	SICHTFENSTER RAHMEN	01/01/1900	31/12/4999	1
344000900	CFE250	UNTERRAHMEN F.SICHTFENSTER	01/01/1900	31/12/4999	1
348003400	CFC010	WASCHMITTEL-BEHALTER	01/01/1900	31/12/4999	1
350003500	CFF060	FILTERVERSCHLUSS	01/01/1900	31/12/4999	1

&lt;CONTINUE ...&gt;

**Ersatzteilliste**


---

**Maschine**      010576018      LBCF ELIN 16C60XECH-55 DF ELIN WM26AAA A 230V 50HZ 07/2005
 

---

<i>Ersatz.</i>	<i>Pos.Expl.</i>	<i>Beschreib.</i>	<i>Laufzeit</i>		<i>Men</i>
350009900	CFZ023	VERSCHLUSS PLASTIKVERPACKUNG	01/01/1900	31/12/4999	4
350039900	CFC350	ABLAUF D.FLUSSIGWASCHMITTEL-BEHALTERS	01/01/1900	31/12/4999	1
354023800	CFA014	VERTIKALE HALTERUNG SITZ VERKABELUNG	01/01/1900	31/12/4999	1
368023200	CFB038	GEHAEUSE TASTE Z. ANWAHL DER SCHLEUDERGESCHW.	01/01/1900	31/07/2005	1
368023300	CFB039	GEHAEUSE PROGRAMMTASTEN	01/01/1900	31/07/2005	1
368023400	CFB037	GEHAEUSE FUER DISPLAYTASTEN	01/01/1900	31/07/2005	1
368023500	CFB046	HALTERUNG FUER KONTROLLAMPENABDECKUNG 7 LEDS	01/01/1900	31/12/4999	2
368023600	CFB031	HALTERUNG FUER KONTROLLAMPENABDECKUNG 5 LEDS	01/01/1900	31/12/4999	2
368023700	CFB044	GEHAEUSE DIFFUSION LED PROGRAMME	01/01/1900	31/12/4999	1
368028900	CFB061	GEHAEUSE TASTENHALTERUNG	01/01/1900	31/12/4999	1
368031000	CFA200	KARTENBEHALTER	01/01/1900	10/01/2003	1
368033100	CFA200	KARTENBEHALTER	10/01/2003	31/12/4999	1
398019200	CFF030	FILTEREINSATZ	01/01/1900	31/12/4999	1
398019400	CFF140	SCHLAUCHKLEMME F.SCHLAUFE D.ABLAUFSCHLAUCHES	01/01/1900	31/12/4999	1
398025800	CFD070	KABELKLEMME	01/01/1900	31/03/2006	1
398027000	CFA017	SCHLAUCHBEFESTIGER ZUFLUSS-ABFLUSS WASSER OFFE	01/01/1900	31/12/4999	2
398034000	CFA011	SENKEL HAKEN VERKABELUNG	01/01/1900	31/12/4999	3

**Ersatzteilliste**


---

**Maschine**      010576018      LBCF ELIN 16C60XECH-55 DF ELIN WM26AAA A 230V 50HZ 07/2005
 

---

<i>Ersatz.</i>	<i>Pos.Expl.</i>	<i>Beschreib.</i>	<i>Laufzeit</i>		<i>Men</i>
398061800	CFE110	HALTER FUER SICHTFENSTERGLAS	01/01/1900	31/12/4999	6
398062000	CFE220	EINSATZSTUECK FUR TURVERSCHLUSSHAKEN	01/01/1900	26/02/1999	1
398092700	CFA008	HAKEN HALTERUNG SCHLAUCH ELEKTROVENTIL	01/01/1900	31/12/4999	1
398101400	CFG039	MITNEHMER TROMMEL HERAUSNEHMBAR	01/01/1900	31/12/4999	4
398108000	CFA039	CLIP DRAHTFIXIERUNG MAGNETVENTIL	01/01/1900	31/12/4999	3
398114700	CFA016	SCHLAUCHBEFESTIGER ZUFLUSS-ABFLUSS WASSER GESCHLOSSEN	01/01/1900	31/12/4999	2
398117700	CFC050	GITTER EINSPUELKAMMER WEICHSPUELER	01/01/1900	31/12/4999	1
398117800	CFF020	FILTERGEHAEUSE	01/01/1900	31/12/4999	1
398117900	CFC030	WASCHMITTELBEHALTER	01/01/1900	31/12/4999	1
398120900	CFA140	FILTERKLAPPE	01/01/1900	08/01/2006	1
398126700	CFF080	FILTERANSCHLUSS F.PUMPE	01/01/1900	31/12/4999	1
398135000	CFF170	DRUCKWACHTERKAMMERHALTERUNG	01/01/1900	31/12/4999	1
398137600	CFE220	EINSATZSTUECK FUR TURVERSCHLUSSHAKEN	26/02/1999	31/12/4999	1
398199000	CFC340	BEHALTER F.FLUSSIGWASCHMITTEL	01/01/1900	31/12/4999	1
398207200	CFG072	SCHAFT FUER STOSSDAEMPFER L146	01/01/1900	31/12/4999	4
398245600	CFE210	TURVERSCHLUSSHAKEN	01/01/1900	31/12/4999	1
398263300	CFA140	FILTERKLAPPE	08/01/2006	31/12/4999	1

**Ersatzteilliste**


---

**Maschine**      010576018      LBCF ELIN 16C60XECH-55 DF ELIN WM26AAA A 230V 50HZ 07/2005
 

---

<i>Ersatz.</i>	<i>Pos.Expl.</i>	<i>Beschreib.</i>	<i>Laufzeit</i>		<i>Men</i>
402003900	CFD280	FILTERDICHTUNG F.ZULAUFSCHLAUCH	01/01/1900	31/12/4999	1
402004100	CFF040	DICHTUNGFILTER	01/01/1900	31/12/4999	1
402009100	CFD050	DICHTUNG FUER ZULAUFSCHLAUCH	01/01/1900	31/12/4999	1
402018300	CFC370	SCHAUMSTOFFSCHUTZ FUR SCHLAUCH	01/01/1900	31/12/4999	1
402018600	CFG060	DICHTUNG FUER BOTTICH	01/01/1900	31/12/4999	1
402025000	CFC060	MUFFE WASCHMITTEL EINSPUELUNG	01/01/1900	31/12/4999	1
402027200	CFG019	DICHTUNG THERMOWIDERSTAND	01/01/1900	31/12/4999	1
402027300	CFB036	DICHTUNG FUER POTENTIOMETER	01/01/1900	31/12/4999	1
402033500	CFF070	KURVE F.ABLAUFBUCHSE	01/01/1900	31/12/4999	1
402034400	CFB041	DICHTUNG DISPLAYTASTEN	01/01/1900	31/07/2005	1
402034500	CFB042	DICHTUNG PROGRAMMTASTEN	01/01/1900	31/07/2005	1
402034600	CFB043	DICHTUNG TASTE Z. ANWAHL DER SCHLEUDERGESCHW.	01/01/1900	31/07/2005	1
402043400	CFG024	GUMMI STOSSDAEMPFER ZYLINDRISCH OBEN	01/01/1900	31/12/4999	8
402043500	CFG025	GUMMI STOSSDAEMPFER ZYLINDRISCH UNTEN	01/01/1900	31/12/4999	8
404001300	CFE020	FENSTERMANSCHETTE	01/01/1900	31/12/4999	1
407001700	CFC370	SCHAUMSTOFFSCHUTZ FUR SCHLAUCH	01/01/1900	31/12/4999	1
408000300	CFD040	SCHLAUCHZULAUF	01/01/1900	23/05/2005	1

**Ersatzteilliste**


---

**Maschine**      010576018      LBCF ELIN 16C60XECH-55 DF ELIN WM26AAA A 230V 50HZ 07/2005
 

---

<i>Ersatz.</i>	<i>Pos.Expl.</i>	<i>Beschreib.</i>	<i>Laufzeit</i>		<i>Men</i>
408003100	CFD040	SCHLAUCHZULAUF	23/05/2005	31/12/4999	1
414004300	CFF090	SCHLAUCHABLAUF	01/01/1900	12/07/2000	1
414010700	CFF190	DRUCKWACHTERROHRE	01/01/1900	31/12/4999	1
414012300	CFD370	FILTER-AIR-BREAK-GEHAUSESCHLAUCH	01/01/1900	31/12/4999	1
414012400	CFF090	SCHLAUCHABLAUF	12/07/2000	31/12/4999	1
414016300	CFC070	ZUFUHRUNGSSCHLAUCH	01/01/1900	31/12/4999	1
414016800	CFC070	ZUFUHRUNGSSCHLAUCH	01/01/1900	31/12/4999	1
416003200	CFG170	TREIBRIEMEN	01/01/1900	31/12/4999	1
428000300	CFG540	MOTORBEFESTIGUNGSDISTANZSTUCK	01/01/1900	31/12/4999	4
430009000	CFG074	MOTORSCHRAUBE VORDERSEITE	01/01/1900	31/12/4999	2
430013600	CFG620	MOTOR-ERDUNGSSCHRAUBE	01/01/1900	31/12/4999	1
430016000	CFG029	FESTSTELLSCHRAUBE RIEMENSCHLEIBE ROHRLEITUNG	01/01/1900	31/12/4999	1
430026800	CFG380	SCHRAUBE FUER MOTOR	01/01/1900	31/12/4999	2
432003400	CFE100	SCHRAUBE F.SICHTFENSTERGLAS	01/01/1900	31/12/4999	6
432003500	CFG036	FESTSTELLSCHRAUBE FIXES THERMOSTAT	01/01/1900	31/12/4999	1
432003700	CFD260	KABELHALTER-SCHRAUBE	01/01/1900	31/03/2006	1
432004600	CFA015	FESTSTELLSCHRAUBE ENTSTOERER	01/01/1900	02/02/2004	2

&lt;CONTINUE ...&gt;

**Ersatzteilliste**


---

**Maschine**      010576018      LBCF ELIN 16C60XECH-55 DF ELIN WM26AAA A 230V 50HZ 07/2005
 

---

<i>Ersatzt.</i>	<i>Pos.Expl.</i>	<i>Beschreib.</i>	<i>Laufzeit</i>		<i>Men</i>
432004600	CFA080	SCHRAUBE FUER RUECKWARTIGEN DECKEL	01/01/1900	19/10/2001	10
432004600	CFB290	SCHRAUBE Z.BEFESTIGUNG D.BLENDE	01/01/1900	29/03/2005	4
432004800	CFE150	SCHRAUBE F.RUCKZUGFEDER D.KLINKE	01/01/1900	02/02/2004	4
432004900	CFA070	SCHRAUBE FUER OBEREN DECKEL	01/01/1900	28/04/2003	2
432005100	CFE120	SCHRAUBE FUER SCHARNIER D.SICHTFENSTERS	03/04/2005	31/12/4999	3
432007400	CFZ018	SCHRAUBE FUER VERPACKUNG UNTEN	01/01/1900	20/04/1999	4
432008700	CFF120	SCHRAUBE FUER FILTER- GEHAEUSE	01/01/1900	31/12/4999	2
432009300	CFB002	FESTSTELLSCHRAUBE POTENTIOMETER	01/01/1900	24/01/2003	2
432009400	CFA220	BEFESTIGUNGSSCHRAUBE F.KARTENBEHALTER	01/01/1900	31/12/4999	2
432009800	CFF130	SCHRAUBE FUER ELEKTROPUMPE	01/01/1900	31/12/4999	2
432010000	CFB290	SCHRAUBE Z.BEFESTIGUNG D.BLENDE	29/03/2005	12/04/2006	4
432010600	CFC160	SCHRAUBE FUER WASCHMITTELHANDGRIFF	01/01/1900	31/12/4999	4
432012600	CFE002	SCHRAUBE ZUR FIXIERUNG TUERVERRIEGELUNG AN MOEB01/01/1900	01/01/1900	31/12/4999	2
432012900	CFG004	BEFESTIGUNGSSCHRAUBE BECKENBODEN	01/01/1900	31/12/4999	12
432013400	CFE120	SCHRAUBE FUER SCHARNIER D.SICHTFENSTERS	01/01/1900	03/04/2005	3
432015600	CFF180	DRUCKWACHTERKAMMER-BEFESTIGUNGSSCHRAUBE	01/01/1900	27/07/2004	1
432017200	CFZ010	SCHRAUBE F.VERPACKUNG	01/01/1900	31/12/4999	4

&lt;CONTINUE ...&gt;

**Ersatzteilliste**


---

**Maschine**      010576018      LBCF ELIN 16C60XECH-55 DF ELIN WM26AAA A 230V 50HZ 07/2005
 

---

<i>Ersatz.</i>	<i>Pos.Expl.</i>	<i>Beschreib.</i>	<i>Laufzeit</i>		<i>Men</i>
432024000	CFB002	FESTSTELLSCHRAUBE POTENTIOMETER	24/01/2003	31/12/4999	2
432026000	CFB029	FESTSTELLSCHRAUBE ELEKTRONIKKARTE	01/01/1900	31/12/4999	8
432028100	CFA015	FESTSTELLSCHRAUBE ENTSTOERER	02/02/2004	31/03/2006	2
432028100	CFA080	SCHRAUBE FUER RUECKWARTIGEN DECKEL	19/10/2001	31/12/4999	10
432028100	CFD110	ERDUNGSSCHRAUBE	29/03/2006	31/12/4999	2
432028100	CFB290	SCHRAUBE Z.BEFESTIGUNG D.BLENDE	12/04/2006	31/12/4999	4
432028200	CFG660	ERDUNGSSCHRAUBE F.BOTTICHBODEN	01/01/1900	31/12/4999	1
432028400	CFA070	SCHRAUBE FUER OBEREN DECKEL	28/04/2003	31/12/4999	2
432031200	CFC150	SCHRAUBE FUER WASCHMITTELBEHALTER	01/01/1900	31/12/4999	4
432032200	CFD110	ERDUNGSSCHRAUBE	01/01/1900	29/03/2006	2
432032200	CFE150	SCHRAUBE F.RUCKZUGFEDER D.KLINKE	02/02/2004	31/12/4999	2
434000200	CFA060	MUTTER FUER FUSS	01/01/1900	31/12/4999	4
434002100	CFG710	BEFESTIGUNGSMUTTER SCHWINGUNGSDAEMPFER	01/01/1900	31/12/4999	8
434002100	CFG410	MUTTER FUER MOTOR	01/01/1900	31/12/4999	4
434002100	CFG290	MUTTER F.GEGENGEWICHT	01/01/1900	31/12/4999	4
436000600	CFG390	U-SCHEIBE FUER MOTOR	01/01/1900	31/12/4999	4
436001700	CFG300	U-SCHEIBE F.GEGENGEWICHT	01/01/1900	31/12/4999	4

&lt;CONTINUE ...&gt;

**Ersatzteilliste**


---

**Maschine**      010576018      LBCF ELIN 16C60XECH-55 DF ELIN WM26AAA A 230V 50HZ 07/2005
 

---

<i>Ersatz.</i>	<i>Pos.Expl.</i>	<i>Beschreib.</i>	<i>Laufzeit</i>		<i>Men</i>
436005900	CFG023	SCHEIBE FUER STOSSDAEMPFER	01/01/1900	31/12/4999	8
436006400	CFZ020	U-SCHEIBE F.SCHRAUBE D.VERPACKUNG	01/01/1900	31/12/4999	4
436007100	CFG580	UNTERLEGSCHIEBE F.RIEMENSCHIEBE	01/01/1900	31/12/4999	1
436007300	CFG035	VERZINKTE UNTERLEGSCHIEBE FUER STOSSDAEMPFER	01/01/1900	31/12/4999	4
438001800	CFA240	NIETE F.SICHTFENSTERSCHARNIER	01/01/1900	31/12/4999	4
440000100	CFD190	ROHRKLEMME FUER DRUCKWACHTER	01/01/1900	31/12/4999	1
440000200	CFC130	SCHELLE F.VERSORGUNGSSCHLAUCH	01/01/1900	31/12/4999	6
440000400	CFF150	SCHELLE F.ABFLUSSSCHLAUCH	01/01/1900	31/12/4999	1
440000500	CFF100	SCHELLE FUR FILTERANSCHLUSS D.PUMPE	01/01/1900	31/12/4999	2
440000600	CFC140	MUFFENSCHELLE F. WASCHMITEINSPULUNG	01/01/1900	31/12/4999	1
440001700	CFF110	SCHELLE FUR ABLAUFBUCHSENKURVE	01/01/1900	31/12/4999	1
441006000	CFF050	FILTERRING	01/01/1900	31/12/4999	1
441006200	CFE010	RING MIT SCHRAUBE FUER BALGENDICHTUNG	01/01/1900	31/12/4999	1
441006300	CFE030	SPANNRING FUER FENSTERMANSCHETTE	01/01/1900	31/12/4999	1
441017600	CFZ019	BUCHSE FUER DISTANZSTUECK VERPACKUNG	01/01/1900	31/12/4999	4
441022600	CFG400	MOTORBUCHSE	01/01/1900	31/12/4999	4
441024200	CFG041	BUCHSE SCHLAUCHDURCHGANG DRUCKWAECHTER	01/01/1900	31/12/4999	1

**Ersatzteilliste**


---

**Maschine**      010576018      LBCF ELIN 16C60XECH-55 DF ELIN WM26AAA A 230V 50HZ 07/2005
 

---

<i>Ersatzt.</i>	<i>Pos.Expl.</i>	<i>Beschreib.</i>	<i>Laufzeit</i>		<i>Men</i>
443001800	CFC320	BOLZEN F.BEHALTERGRIFF	01/01/1900	31/12/4999	1
443004800	CFE200	STIFT FUER TUERVERSCHLUSSHAKEN	01/01/1900	31/12/4999	1
444002500	CFC330	RUECKZUGFEDER F.DECKEL D.GRIFFES	01/01/1900	31/12/4999	1
444005700	CFB210	FEDER FUER THERMOSTATKNOPF	01/01/1900	31/12/4999	1
444008500	CFE230	FEDER	01/01/1900	31/12/4999	1
444008600	CFE160	RUCKZUGFEDER F.KLINKE	01/01/1900	31/12/4999	1
450001400	CFA050	FUSS REGULIERBAR	01/01/1900	31/12/4999	4
460611316	LVZ000	ELEKTRISCHER SCHALTPLAN	01/01/1900	31/12/4999	1
461305857	CFZ330	GEBRAUCHSANWEISUNG	01/01/1900	31/12/4999	1
466000016	LVD008	DOKUMENT TECHNISCHE INFORMATION MAGNETISCHE ENTKALKER	01/01/1900	31/12/4999	1
466000065	LVD044	ELEKTRONISCHES WARTUNGSHANDBUCH	01/01/1900	31/12/4999	1
466000097	LVD052	DOKUMENT AUSTAUSCH STIRNBRETT	01/01/1900	31/12/4999	1
466000099	LVD048	DOKUMENT AUSTAUSCH GEHAEUSE	01/01/1900	31/12/4999	1
466000110	LVD060	DOKUMENT WANNENAUSTAUSCH HARDWARE MODULO	01/01/1900	31/12/4999	1
470013600	CFZ290	OBERE VERPACKUNGS-UMHUELLUNG	01/01/1900	21/03/2001	1
470016900	CFZ040	DISTANZSTUECK AUS KUNSTSTOFF F.VERPACKUNG	01/01/1900	31/12/4999	4
470030500	CFZ280	UNTERE VERPACKUNGS-UMHUELLUNG	01/01/1900	26/11/2003	1

**Ersatzteilliste**


---

**Maschine**      010576018      LBCF ELIN 16C60XECH-55 DF ELIN WM26AAA A 230V 50HZ 07/2005
 

---

<i>Ersatzt.</i>	<i>Pos.Expl.</i>	<i>Beschreib.</i>	<i>Laufzeit</i>		<i>Men</i>
470038400	CFZ290	OBERE VERPACKUNGS-UMHUELLUNG	21/03/2001	31/12/4999	1
470049900	CFZ280	UNTERE VERPACKUNGS-UMHUELLUNG	26/11/2003	03/12/2003	1
470051100	CFZ280	UNTERE VERPACKUNGS-UMHUELLUNG	03/12/2003	31/12/4999	1
476009000	CFZ300	VORDERES WINKELPROFIL RECHTS-LINKS	01/01/1900	31/12/4999	2
476017100	CFZ310	HINTERES WINKELPROFIL RECHTS-LINKS	01/01/1900	31/12/4999	2
490009700	CFG080	GEGENGEWICHT UNTEN	03/12/2003	31/12/4999	1
490009800	CFG080	GEGENGEWICHT UNTEN	01/01/1900	03/12/2003	1
493065100	CFE040	SICHTFENSTERGLAS	01/01/1900	31/12/4999	1
499022300	CFG690	SCHWINGUNGSDAEPFER	01/01/1900	31/12/4999	4
502016600	CFB022	PROGRAMMSCHALTER	01/01/1900	17/07/2005	1
502032000	CFB021	ELEKTRONIKKARTE TASTEN+DISPLAY	01/01/1900	31/12/4999	1
502032200	CFB034	ELEKTRONIKKARTE LED	01/01/1900	31/12/4999	1
502050300	CFB022	PROGRAMMSCHALTER	17/07/2005	31/12/4999	1
508015103	CFD100	NETZANSCHLUSSKABEL	01/01/1900	31/03/2006	1
508023300	CFD100	NETZANSCHLUSSKABEL	31/03/2006	31/12/4999	1
510185700	CFB058	FLACHKABEL FUER ANSCHLUSS KARTE TASTENKREIS-ELEKTR. MODUL	01/01/1900	31/12/4999	1
510200300	CFB053	FLACHKABEL FUER ANSCHLUSS ELEKTRONIKKARTEN STIRNBRETT	01/01/1900	31/12/4999	1

&lt;CONTINUE ...&gt;

**Ersatzteilliste**


---

**Maschine**      010576018      LBCF ELIN 16C60XECH-55 DF ELIN WM26AAA A 230V 50HZ 07/2005
 

---

<i>Ersatz.</i>	<i>Pos.Expl.</i>	<i>Beschreib.</i>	<i>Laufzeit</i>		<i>Men</i>
512021500	CFG130	MOTOR	01/01/1900	31/12/4999	1
518002801	CFF010	ELEKTROPUMPE	01/01/1900	31/12/4999	1
520009601	CFD020	DRUCKWACHTER	01/01/1900	31/12/4999	1
522006700	CFB040	DRUCK KNOPFTAFEL	03/11/2004	31/12/4999	1
522006701	CFB040	DRUCK KNOPFTAFEL	01/01/1900	03/11/2004	1
524010200	CFG140	WIDERSTAND	01/01/1900	31/12/4999	1
526021500	CFG560	THERMOSTAT FIX	01/01/1900	31/12/4999	1
526021601	CFG005	THERMOWIDERSTAND	01/01/1900	31/12/4999	1
530001500	CFE060	TUERSCHALTER	01/01/1900	31/12/4999	1
532005902	CFD240	ENTSTOERFILTER	01/01/1900	31/03/2006	1
534009603	CFD010	ELEKTROVENTIL	01/01/1900	31/12/4999	1
546078600	CFA210	ELEKTRONIK-MODUL	01/01/1900	31/12/4999	1
560076300	CFD250	VERKABELUNG	01/01/1900	31/12/4999	1
710057001	CFA010	GEHAEUSE	01/01/1900	08/01/2006	1
710075001	CFA010	GEHAEUSE	08/01/2006	31/03/2006	1
710078501	CFA010	GEHAEUSE	31/03/2006	31/12/4999	1
718011600	CFG550	SET BODEN+LAGER	01/01/1900	31/12/4999	1

&lt;CONTINUE ...&gt;

**Ersatzteilliste**


---

**Maschine**      010576018      LBCF ELIN 16C60XECH-55 DF ELIN WM26AAA A 230V 50HZ 07/2005
 

---

<i>Ersatz.</i>	<i>Pos.Expl.</i>	<i>Beschreib.</i>	<i>Laufzeit</i>		<i>Men</i>
719005000	CFE090	SET-SICHTFENSTERGRIFF	01/01/1900	31/12/4999	1
720351400	LVK005	KIT MOTORFIXIERUNG	01/01/1900	09/03/2005	1
720374000	CFA320	MODULTRAGER-GEHAUSEINHEIT	01/01/1900	31/12/4999	1
720380200	CFC360	FLUSSIGWASCHMITTEL-BEHALTER-SET	01/01/1900	31/12/4999	1
720394900	CFG028	SATZ STOSSDAEMPFER	01/01/1900	31/12/4999	4
720407100	CFG530	FLANSCH + TROMMEL-SET	01/01/1900	31/12/4999	1
721057100	CFA020	OBERER DECKEL	01/01/1900	31/12/4999	1
726012600	CFG030	BOTTICH	01/01/1900	31/12/4999	1
750252800	CFG240	DICHTUNGSRING	01/01/1900	31/12/4999	1
750252900	CFG670	LAGEREINHEIT	01/01/1900	31/12/4999	1
750266800	LVK005	KIT MOTORFIXIERUNG	09/03/2005	31/12/4999	1
750312800	LVK101	ERSATZTEILKIT STIRNBRETT	01/01/1900	31/12/4999	1
750336500	LVK095	KIT AUSTAUSCH GEHAUESE	01/01/1900	31/12/4999	1
804659748	CFB010	BLENDRAHMEN	01/01/1900	31/07/2005	1
804660125	CFB010	BLENDRAHMEN	31/07/2005	31/12/4999	1
806299800	CFC040	HANDGRIFF FUER WASCHMIT.	01/01/1900	31/12/4999	1